

# GLOBALTECH

Solutions for efficient power supplies

3W-360W Power Adapter • Charger



GLOBAL TECHNOLOGIES GROUP (HK) LIMITED  
GLOBAL TECHNOLOGIES GROUP INC USA

# GLOBALTECH

Solutions for efficient power supplies

## INDEX

5W/12W wall plug / 5W/12W 插墙直插式 .....	02
5W wall plug Vertical / 5W 插墙式 (立式) .....	04
5W wall plug Horizontal / 5W 插墙式 (卧式) .....	06
12W wall plug Vertical / 12W 插墙式 (立式) .....	08
12W wall plug Horizontal / 12W 插墙式 (卧式) .....	10
24W wall plug Horizontal / 24W 插墙式 (卧式) .....	12
36W wall plug Horizontal / 36W 插墙式 (卧式) .....	14
65W wall plug Horizontal / 65W 插墙式 (卧式) .....	16
5W interchangeable plugs / 5W 可换脚 .....	18
12W interchangeable plugs / 12W 可换脚 .....	20
24W interchangeable plugs / 24W 可换脚 .....	22
36W interchangeable plugs / 36W 可换脚 .....	24
65W interchangeable plugs / 65W 可换脚 .....	26
12W Desktop / 12W 桌上型 .....	28
24W Desktop / 24W 桌上型 .....	30
36W Desktop / 36W 桌上型 .....	32
65W Desktop / 65W 桌上型 .....	34
90W Desktop / 90W 桌上型 .....	36
120W Desktop / 120W 桌上型 .....	38
150W Desktop / 150W 桌上型 .....	40
200W Desktop / 200W 桌上型 .....	42
360W Desktop / 360W 桌上型 .....	44





### Features

- \* Universal Input Range 90~264VAC
- \* Continuous Short Circuit Protection
- \* Over Voltage Protection
- \* Meet CEC & ErP Level VI

## KT07W SERIES

5W SWITCHING AC-DC ADAPTER

## KT12C SERIES

12W SWITCHING AC-DC ADAPTER



### Typical Model List

#### KT07W Series

OUTPUT VOLTAGE	OUTPUT CURRENT	RIPPLE & NOISE (NOTE 2)	VOLTAGE ACCURACY (NOTE 1)	LINE REGULATION (NOTE 3)	LOAD REGULATION (NOTE 4)	MAX OUTPUT POWER
5.0V	1000mA	250mV	±5%	±2%	±5%	5.0W

#### KT12C Series

OUTPUT VOLTAGE	OUTPUT CURRENT	RIPPLE & NOISE (NOTE 2)	VOLTAGE ACCURACY (NOTE 1)	LINE REGULATION (NOTE 3)	LOAD REGULATION (NOTE 4)	MAX OUTPUT POWER
5.0V	2400mA	250mV	±5%	±2%	±5%	12.0W

### Specification

#### INPUT SPECIFICATIONS:

Voltage ..... 90~264Vac  
 Frequency ..... 50 to 60Hz  
 Input Current ..... KT07W:0.2A max.; KT12C:0.4A max  
 Inrush Current ..... Cold Start @25°C 50A max. @240Vac  
 Leakage Current ..... 0.25mA max.

#### OUTPUT SPECIFICATIONS:

Hold-up Time ..... 10ms typ. @115Vac  
 Short Circuit Protection..... Continuous(Auto Recovery)  
 Over Voltage Protection..... Yes  
 Temperature Coefficient..... ±0.05%/°C

#### GENERAL SPECIFICATIONS:

Hi-pot ..... Input to output = 3.000VAC  
 Operating Temperature ..... 0 ~ 40°C  
 Storage Temperature..... -20 ~ 80°C  
 Humidity.....85% RH max. Non condensing

Cooling..... Natural Convection  
 Switching Frequency ..... 46-64KHz Typical  
 MTBF .....MIL-HDBK-217F, GB, at 25°C/115VAC.....50Khrs min.  
 Altitude ..... 5000m

#### SAFETY AND EMC:

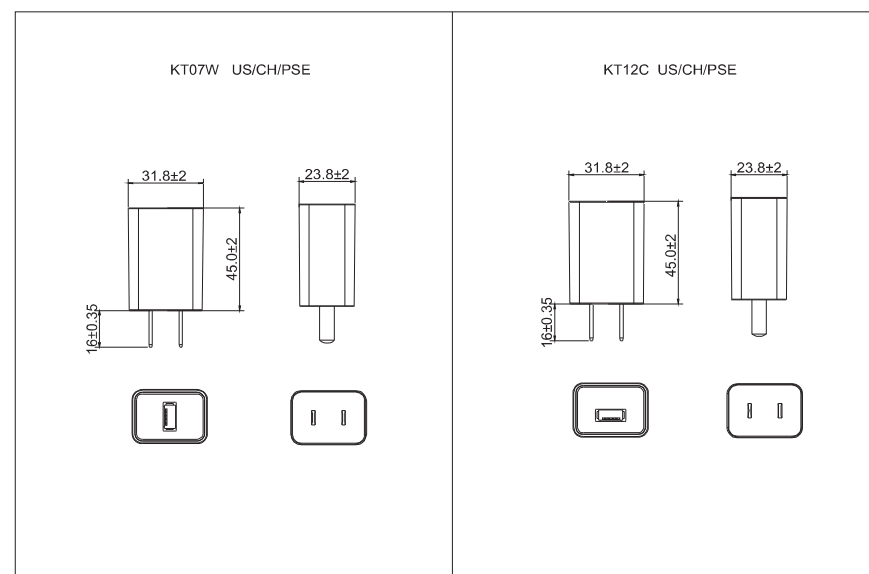
Emission and Immunity ..... EN55032 Class B, FCC Part 15 Class B EN61000-6-3,EN61000-3-2,EN61000-3-3, EN55024

Safety ..... GB4943 (EN60950)

#### NOTE:

1. Voltage accuracy at 60% full load.
2. Add a 0.1uF ceramic capacitor and a 10uF E.L. capacitor to output for Ripple & Noise measurement @20MHz BW.
3. Line regulation is measured from 100V to 240Vac full load.
4. Load regulation is measured from 60% to 100% full load and from 60% to 20% full load (60% +/- 40% full load

### Mechanical Specification



All Dimensions are in mm, Tolerance: X.X±0.5

Typical at 25°C, nominal line and 75% load, unless otherwise Specified



## Features

- \* Universal Input Range 90~264VAC
- \* Continuous Short Circuit Protection
- \* Over Voltage Protection
- \* Meet CEC & ErP Level VI

## KT05W SERIES

6W SWITCHING AC-DC ADAPTER  
Vertical Type



## Typical Model List

OUTPUT VOLTAGE	OUTPUT CURRENT	RIPPLE & NOISE (NOTE 2)	VOLTAGE ACCURACY (NOTE 1)	LINE REGULATION (NOTE 3)	LOAD REGULATION (NOTE 4)	MAX OUTPUT POWER
3.6-5.0V	1200mA	250mV	±5%	±2%	±5%	6.0W
5.1-6.0V	1000mA	250mV	±5%	±2%	±5%	6.0W
7.0-12V	660mA	250mV	±5%	±2%	±5%	6.0W

## Specification

### INPUT SPECIFICATIONS:

Voltage ..... 90~264Vac  
 Frequency ..... 50 to 60Hz  
 Input Current ..... 0.2A max.  
 Inrush Current ..... Cold Start @25°C 50A max. @240Vac  
 Leakage Current ..... 0.25mA max.

### OUTPUT SPECIFICATIONS:

Hold-up Time ..... 10ms typ. @115Vac  
 Short Circuit Protection..... Continuous(Auto Recovery)  
 Over Voltage Protection..... Yes  
 Temperature Coefficient..... ±0.05%/°C

### GENERAL SPECIFICATIONS:

Hi-pot ..... Input to output = 3.000VAC  
 Operating Temperature ..... 0 ~ 40°C  
 Storage Temperature..... -20 ~ 80°C  
 Humidity.....85% RH max. Non condensing

Cooling..... Natural Convection  
 Switching Frequency ..... 46-64KHz Typical  
 MTBF .....MIL-HDBK-217F, GB, at 25°C /115VAC.....50Khrs min.  
 Altitude ..... 5000m

### SAFETY AND EMC:

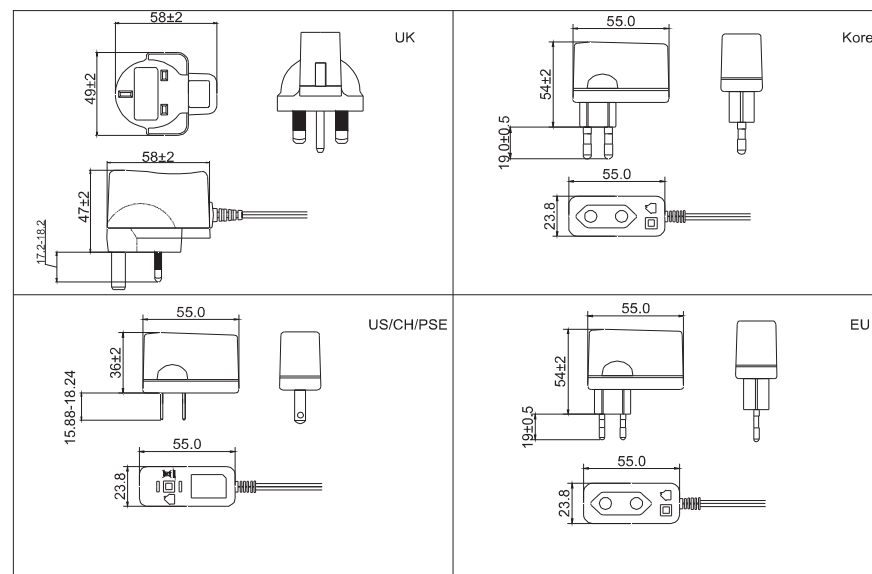
Emission and Immunity:FCC PATR15/CISPR22, GB9254,GB17625.1  
 EN/AS/NZA/K/J 55032/35/14/24 Class B, EN61000-3,4

Safety: UL/CUL 60950,GB4943,J60950,K60950  
 IEC/EN/AS/NZA60950/60065/61558

### NOTE:

1. Voltage accuracy at 60% full load.
2. Add a 0.1uF ceramic capacitor and a 10uF E.L. capacitor to output for Ripple & Noise measurement @20MHz BW.
3. Line regulation is measured from 100V to 240Vac full load.
4. Load regulation is measured from 60% to 100% full load and from 60% to 20% full load (60% +/- 40% full load)

## Mechanical Specification



All Dimensions are in mm, Tolerance: X.X±0.5



## Features

- \* Universal Input Range 90~264VAC
- \* Continuous Short Circuit Protection
- \* Over Voltage Protection
- \* Meet CEC & ErP Level VI



## KT05W SERIES

6W SWITCHING AC-DC ADAPTER  
Horizontal Type

## Typical Model List

OUTPUT VOLTAGE	OUTPUT CURRENT	RIPPLE & NOISE (NOTE 2)	VOLTAGE ACCURACY (NOTE 1)	LINE REGULATION (NOTE 3)	LOAD REGULATION (NOTE 4)	MAX OUTPUT POWER
3.6-5.0V	1200mA	250mV	±5%	±2%	±5%	6.0W
5.1-6.0V	1000mA	250mV	±5%	±2%	±5%	6.0W
7.0-12V	660mA	250mV	±5%	±2%	±5%	6.0W

## Specification

### INPUT SPECIFICATIONS:

Voltage ..... 90~264Vac  
 Frequency ..... 50 to 60Hz  
 Input Current ..... 0.2A max.  
 Inrush Current ..... Cold Start @25°C 50A max. @240Vac  
 Leakage Current ..... 0.25mA max.

### OUTPUT SPECIFICATIONS:

Hold-up Time ..... 10ms typ. @115Vac  
 Short Circuit Protection..... Continuous(Auto Recovery)  
 Over Voltage Protection..... Yes  
 Temperature Coefficient..... ±0.05%/°C

### GENERAL SPECIFICATIONS:

Hi-pot ..... Input to output = 3.000VAC  
 Operating Temperature ..... 0 ~ 40°C  
 Storage Temperature..... -20 ~ 80°C  
 Humidity......85% RH max. Non condensing

Cooling..... Natural Convection  
 Switching Frequency ..... 46-64KHz Typical  
 MTBF .....MIL-HDBK-217F, GB, at 25°C/115VAC.....50Khrs min.  
 Altitude ..... 5000m

### SAFETY AND EMC:

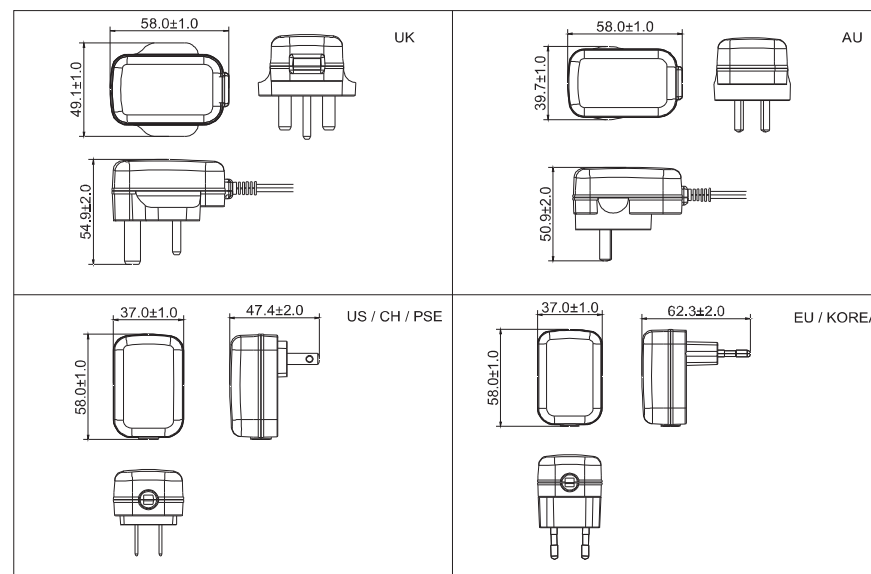
Emission and Immunity:FCC PATR15/CISPR22, GB9254,GB17625.1  
 EN/AS/NZA/K/J 55032/35/14/24 Class B, EN61000-3,4

Safety: UL/CUL 60950,GB4943,J60950,K60950  
 IEC/EN/AS/NZA60950/60065/61558

### NOTE:

1. Voltage accuracy at 60% full load.
2. Add a 0.1uF ceramic capacitor and a 10uF E.L. capacitor to output for Ripple & Noise measurement @20MHz BW.
3. Line regulation is measured from 100V to 240Vac full load.
4. Load regulation is measured from 60% to 100% full load and from 60% to 20% full load (60% +/- 40% full load)

## Mechanical Specification



All Dimensions are in mm, Tolerance: X.X±0.5





### Features

- \* Universal Input Range 90~264VAC
- \* Continuous Short Circuit Protection
- \* Over Voltage Protection
- \* Meet CEC & ErP Level VI

## KT12W SERIES

12W SWITCHING AC-DC ADAPTER  
Vertical Type



### Typical Model List

OUTPUT VOLTAGE	OUTPUT CURRENT	RIPPLE & NOISE (NOTE 2)	VOLTAGE ACCURACY (NOTE 1)	LINE REGULATION (NOTE 3)	LOAD REGULATION (NOTE 4)	MAX OUTPUT POWER
3.6-5.5V	2000mA	150mV	±5%	±1%	±5%	11.0W
5.6-8.9V	1960mA	150mV	±5%	±1%	±5%	11.16W
9.0V	1400mA	150mV	±5%	±1%	±5%	12.6W
9.1-11.8V	1310mA	150mV	±5%	±1%	±5%	12.0W
11.9-12.6V	1000mA	150mV	±5%	±1%	±5%	12.6W
12.7-19.0V	940mA	150mV	±5%	±1%	±5%	12.06W
19.1-30.7V	620mA	150mV	±5%	±1%	±5%	12.0W
30.8-32.0V	380mA	150mV	±5%	±1%	±5%	12.16W

Specifications are subject to change without notice

### Specification

#### INPUT SPECIFICATIONS:

Voltage ..... 90~264Vac  
Frequency ..... 47 to 63Hz  
Input Current ..... 0.4A max.  
Inrush Current ..... Cold Start @25°C 60A max. @240Vac  
Leakage Current ..... 0.25mA max.

#### OUTPUT SPECIFICATIONS:

Hold-up Time ..... 10ms typ. @115Vac  
Short Circuit Protection..... Continuous(Auto Recovery)  
Over Voltage Protection..... Yes  
Temperature Coefficient..... ±0.05%/°C

#### GENERAL SPECIFICATIONS:

Hi-pot ..... Input to output = 3.000VDC  
Operating Temperature ..... 0 ~ 35°C  
Storage Temperature..... -20 ~ 80°C  
Humidity.....85% RH max. Non condensing

Cooling..... Natural Convection  
Switching Frequency ..... 50KHz Typical  
MTBF ....MIL-HDBK-217F, GB, at 25°C/115VAC....50Khrs min.  
Altitude ..... 5000m

#### SAFETY AND EMC:

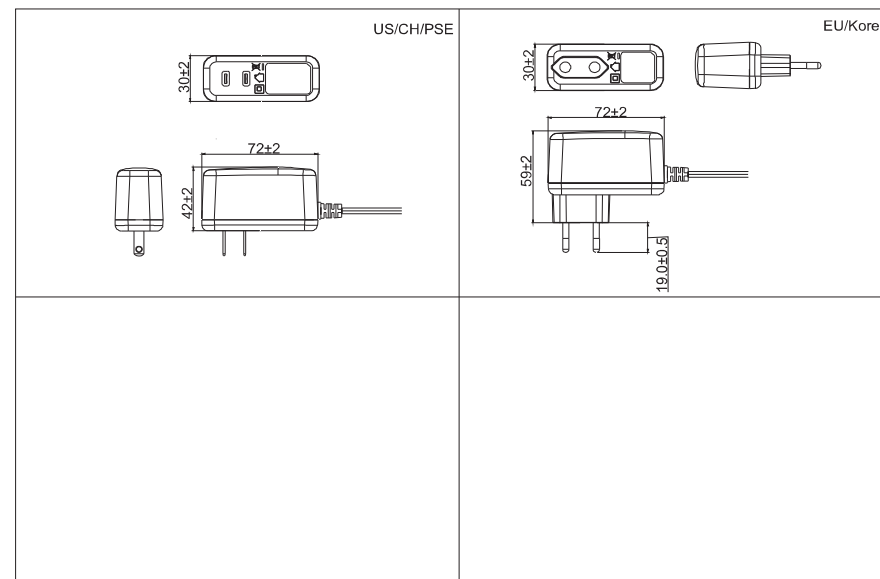
Emission and Immunity:FCC PATR15/CISPR22, GB9254,GB17625.1  
EN/AS/NZA/K/J 55032/35/14/24 Class B, EN61000-3,4

Safety: UL/CUL 60950,GB4943,J60950,K60950  
IEC/EN/AS/NZA60950/60065/61558

#### NOTE:

1. Voltage accuracy at 60% full load.
2. Add a 0.1uF ceramic capacitor and a 10uF E.L. capacitor to output for Ripple & Noise measurement @20MHz BW.
3. Line regulation is measured from 100V to 240Vac full load.
4. Load regulation is measured from 60% to 100% full load and from 60% to 20% full load (60% +/- 40% full load

### Mechanical Specification



All Dimensions are in mm, Tolerance: X.X±0.5

Typical at 25°C, nominal line and 75% load, unless otherwise Specified



### Features

- \* Universal Input Range 90~264VAC
- \* Continuous Short Circuit Protection
- \* Over Voltage Protection
- \* Meet CEC & ErP Level VI



## KT12W SERIES

12W SWITCHING AC-DC ADAPTER  
Horizontal Type

### Typical Model List

OUTPUT VOLTAGE	OUTPUT CURRENT	RIPPLE & NOISE (NOTE 2)	VOLTAGE ACCURACY (NOTE 1)	LINE REGULATION (NOTE 3)	LOAD REGULATION (NOTE 4)	MAX OUTPUT POWER
3.6-5.5V	2000mA	150mV	±5%	±1%	±5%	11.0W
5.6-8.9V	1960mA	150mV	±5%	±1%	±5%	11.16W
9.0V	1400mA	150mV	±5%	±1%	±5%	12.6W
9.1-11.8V	1310mA	150mV	±5%	±1%	±5%	12.0W
11.9-12.6V	1000mA	150mV	±5%	±1%	±5%	12.6W
12.7-19.0V	940mA	150mV	±5%	±1%	±5%	12.06W
19.1-30.7V	620mA	150mV	±5%	±1%	±5%	12.0W
30.8-32.0V	380mA	150mV	±5%	±1%	±5%	12.16W

Specifications are subject to change without notice

### Specification

#### INPUT SPECIFICATIONS:

Voltage ..... 90~264Vac  
 Frequency ..... 47 to 63Hz  
 Input Current ..... 0.4A max.  
 Inrush Current ..... Cold Start @25°C 60A max. @240Vac  
 Leakage Current ..... 0.25mA max.

#### OUTPUT SPECIFICATIONS:

Hold-up Time ..... 10ms typ. @115Vac  
 Short Circuit Protection..... Continuous(Auto Recovery)  
 Over Voltage Protection..... Yes  
 Temperature Coefficient..... ±0.05%/°C

#### GENERAL SPECIFICATIONS:

Hi-pot ..... Input to output = 3.000VAC  
 Operating Temperature ..... 0 ~ 35°C  
 Storage Temperature..... -20 ~ 80°C  
 Humidity.....85% RH max. Non condensing

Cooling..... Natural Convection  
 Switching Frequency ..... 50KHz Typical  
 MTBF .....MIL-HDBK-217F, GB, at 25°C /115VAC.....50Khrs min.  
 Altitude ..... 5000m

#### SAFETY AND EMC:

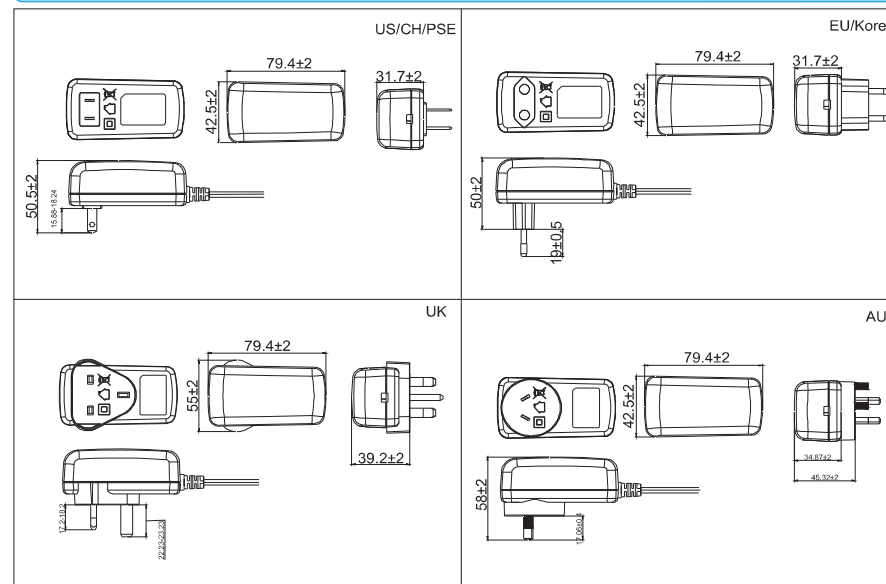
Emission and Immunity:FCC PATR15/CISPR22, GB9254, GB17625.1  
 EN/AS/NZA/K/J 55032/35/14/24 Class B, EN61000-3,4

Safety: UL/CUL 60950, GB4943, J60950, K60950  
 IEC/EN/AS/NZA60950/60065/61558

#### NOTE:

1. Voltage accuracy at 60% full load.
2. Add a 0.1uF ceramic capacitor and a 10uF E.L. capacitor to output for Ripple & Noise measurement @20MHz BW.
3. Line regulation is measured from 100V to 240Vac full load.
4. Load regulation is measured from 60% to 100% full load and from 60% to 20% full load (60% +/- 40% full load)

### Mechanical Specification



All Dimensions are in mm, Tolerance: X.X±0.5

Typical at 25°C, nominal line and 75% load, unless otherwise Specified



### Features

- \* Universal Input Range 90~264VAC
- \* Continuous Short Circuit Protection
- \* Over Voltage Protection
- \* Meet CEC & ErP Level VI



### Typical Model List

OUTPUT VOLTAGE	OUTPUT CURRENT	RIPPLE & NOISE (NOTE 2)	VOLTAGE ACCURACY (NOTE 1)	LINE REGULATION (NOTE 3)	LOAD REGULATION (NOTE 4)	MAX OUTPUT POWER
4.0-5.0V	4000mA	150mV	±5%	±1%	±5%	20.0W
5.1-6.0V	3000mA	150mV	±5%	±1%	±5%	18.0W
7.0-12.0V	2000mA	150mV	±5%	±1%	±5%	24.0W
12.1-12.6V	1800mA	150mV	±5%	±1%	±5%	22.68W
12.7-15.0V	1500mA	150mV	±5%	±1%	±5%	22.5W
15.1-24.0V	1000mA	150mV	±5%	±1%	±5%	24.0W

Specifications are subject to change without notice

## KT24W SERIES

24W SWITCHING AC-DC ADAPTER  
Horizontal Type

### Specification

#### INPUT SPECIFICATIONS:

Voltage ..... 90~264Vac  
Frequency ..... 47 to 63Hz  
Input Current ..... 0.8A max.  
Inrush Current ..... Cold Start @25°C 60A max. @240Vac  
Leakage Current ..... 0.25mA max.

#### OUTPUT SPECIFICATIONS:

Hold-up Time ..... 10ms typ. @115Vac  
Short Circuit Protection..... Continuous(Auto Recovery)  
Over Voltage Protection..... Yes  
Temperature Coefficient..... ±0.05%/°C

#### GENERAL SPECIFICATIONS:

Hi-pot ..... Input to output = 3.000VAC  
Operating Temperature ..... 0 ~ 40°C  
Storage Temperature..... -20 ~ 80°C  
Humidity.....85% RH max. Non condensing

Cooling..... Natural Convection  
Switching Frequency ..... 50KHz Typical  
MTBF .....MIL-HDBK-217F, GB, at 25°C/115VAC.....50Khrs min.  
Altitude ..... 5000m

#### SAFETY AND EMC:

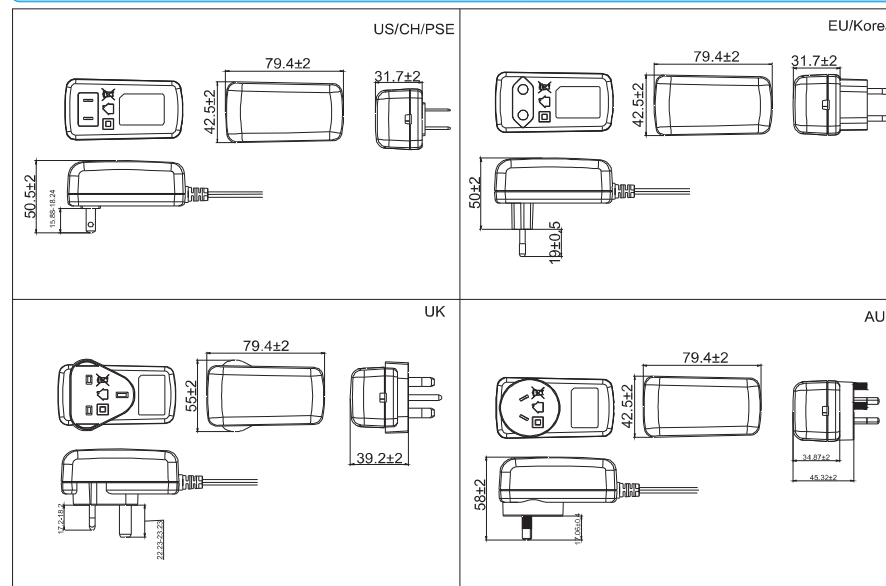
Emission and Immunity:FCC PATR15/CISPR22, GB9254, GB17625.1  
EN/AS/NZA/K/J 55032/35/14/24 Class B, EN61000-3,4

Safety: UL/CUL 60950, GB4943, J60950, K60950  
IEC/EN/AS/NZA60950/60065/61558

#### NOTE:

1. Voltage accuracy at 60% full load.
2. Add a 0.1uF ceramic capacitor and a 10uF E.L. capacitor to output for Ripple & Noise measurement @20MHz BW.
3. Line regulation is measured from 100V to 240VAC full load.
4. Load regulation is measured from 60% to 100% full load and from 60% to 20% full load (60% +/- 40% full load)

### Mechanical Specification



All Dimensions are in mm, Tolerance: X.X±0.5

Typical at 25°C, nominal line and 75% load, unless otherwise Specified



### Features

- \* Universal Input Range 90~264VAC
- \* Continuous Short Circuit Protection
- \* Over Voltage Protection
- \* Meet CEC & ErP Level VI



**KT36W SERIES**  
36W SWITCHING AC-DC ADAPTER  
Horizontal Type

### Typical Model List

OUTPUT VOLTAGE	OUTPUT CURRENT	RIPPLE & NOISE (NOTE 2)	VOLTAGE ACCURACY (NOTE 1)	LINE REGULATION (NOTE 3)	LOAD REGULATION (NOTE 4)	MAX OUTPUT POWER
9.0-12.0V	3000mA	150mV	±5%	±1%	±5%	36.0W
12.1-19.0V	2970mA	150mV	±5%	±1%	±5%	36.0W
19.1-32.0V	1880 mA	150mV	±5%	±1%	±5%	36.0W
32.1-48.0V	1120mA	150mV	±5%	±1%	±5%	36.0W

Specifications are subject to change without notice

### Specification

#### INPUT SPECIFICATIONS:

Voltage ..... 90~264Vac  
 Frequency ..... 47 to 63Hz  
 Input Current ..... 1.0A max.  
 Inrush Current ..... Cold Start @25°C 60A max. @240Vac  
 Leakage Current ..... 0.25mA max.

#### OUTPUT SPECIFICATIONS:

Hold-up Time ..... 10ms typ. @115Vac  
 Short Circuit Protection..... Continuous(Auto Recovery)  
 Over Voltage Protection..... Yes  
 Temperature Coefficient..... ±0.05%/°C

#### GENERAL SPECIFICATIONS:

Hi-pot ..... Input to output = 3.000VAC  
 Operating Temperature ..... 0 ~ 40°C  
 Storage Temperature..... -20 ~ 80°C  
 Humidity.....85% RH max. Non condensing

Cooling..... Natural Convection  
 Switching Frequency ..... 50KHz Typical  
 MTBF ....MIL-HDBK-217F, GB, at 25°C/115VAC....50Khrs min.  
 Altitude ..... 5000m

#### SAFETY AND EMC:

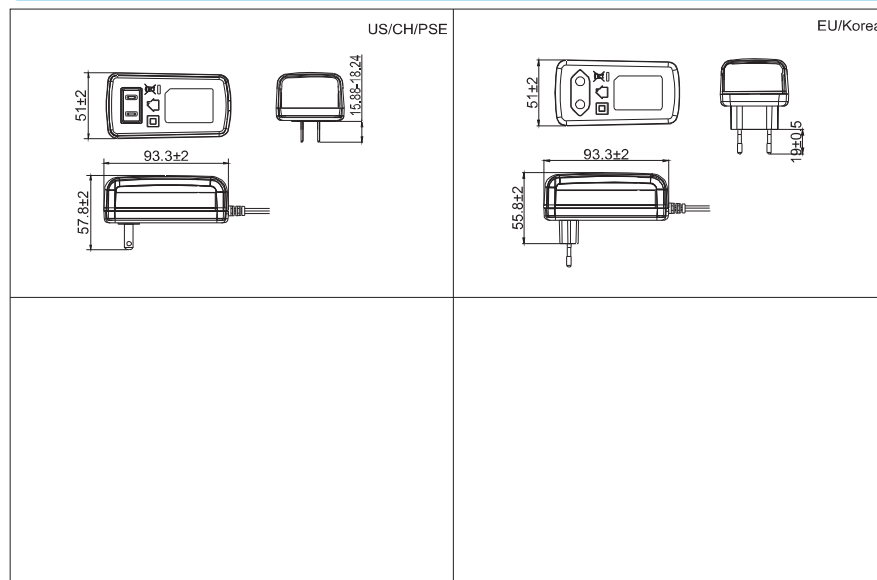
Emission and Immunity:FCC PATR15/CISPR22, GB9254, GB17625.1  
 EN/AS/NZA/K/J 55032/35/14/24 Class B, EN61000-3,4

Safety: UL/CUL 60950, GB4943, J60950, K60950  
 IEC/EN/AS/NZA60950/60065/61558

#### NOTE:

1. Voltage accuracy at 60% full load.
2. Add a 0.1uF ceramic capacitor and a 10uF E.L. capacitor to output for Ripple & Noise measurement @20MHz BW.
3. Line regulation is measured from 100V to 240Vac full load.
4. Load regulation is measured from 60% to 100% full load and from 60% to 20% full load (60% +/- 40% full load)

### Mechanical Specification



All Dimensions are in mm, Tolerance: X.X±0.5

Typical at 25°C, nominal line and 75% load, unless otherwise Specified



## KT65W SERIES

65W SWITCHING AC-DC ADAPTER  
Horizontal Type



### Features

- \* Universal Input Range 90~264VAC
- \* Continuous Short Circuit Protection
- \* Over Voltage Protection
- \* Meet CEC & ErP Level VI

### Typical Model List

MODEL NO. (Typ.)	KT60W120500zz	KT60W190343zz	KT60W240271zz	KT60W360166zz	KT60W480125zz
<b>DC VOLTAGE</b>	12V.dc	19V.dc	24V.dc	36V.dc	48V.dc
<b>RATED CURRENT</b>	5.00A	3.43A	2.71A	1.66A	1.25A
<b>CURRENT RANGE</b>	0.1-5.00A	0.1-3.43A	0.1-2.71A	0.1-1.66A	0.1-1.25A
<b>RIPPLE&amp;NOISE</b>	Max.250mVp-p	Max.250mVp-p	Max.250mVp-p	Max.250mVp-p	Max.250mVp-p
<b>VOLTAGE TOLERANCE</b>	±5.00%	±5.00%	±5.00%	±5.00%	±5.00%
<b>LINE REGULATION</b>	±1.00%	±1.00%	±1.00%	±1.00%	±1.00%
<b>LOAD REGULATION</b>	±5.00%	±5.00%	±5.00%	±5.00%	±5.00%

MODEL NAME	RATED OUTPUT VOLTAGE RANGE(VDC)	RATED OUTPUT CURRENT RANGE(A)	Max. OUTPUT POWER(W)
KT60Wxxxxxyzz	12.0-18.9	0.10-5.0	60.00
	19.0-30.0	0.10-3.43	65.17
	30.1-54.0	0.10-1.99	60.00

xxx=120-540,12-54V,yyy=001-500,0.01A-5.00A,  
KT60Wxxxxxyzz zz=CH,US,JP,EU,KO

Specifications are subject to change without notice

### Specification

#### INPUT SPECIFICATIONS:

Voltage ..... 90~264Vac  
Frequency ..... 47 to 63Hz  
Input Current ..... 1.0A max.  
Inrush Current ..... Cold Start @25°C 60A max. @240Vac  
Leakage Current ..... 0.25mA max.

#### OUTPUT SPECIFICATIONS:

Hold-up Time ..... 10ms typ. @115Vac  
Short Circuit Protection..... Continuous(Auto Recovery)  
Over Voltage Protection..... Yes  
Temperature Coefficient..... ±0.05%/°C

#### GENERAL SPECIFICATIONS:

Hi-pot ..... Input to output = 3.000VAC  
Operating Temperature ..... 0 ~ 40°C  
Storage Temperature..... -20 ~ 80°C  
Humidity.....85% RH max. Non condensing

Cooling..... Natural Convection  
Switching Frequency ..... 50KHz Typical  
MTBF .....MIL-HDBK-217F, GB, at 25°C/115VAC....50Khrs min.  
Altitude ..... 5000m

#### SAFETY AND EMC:

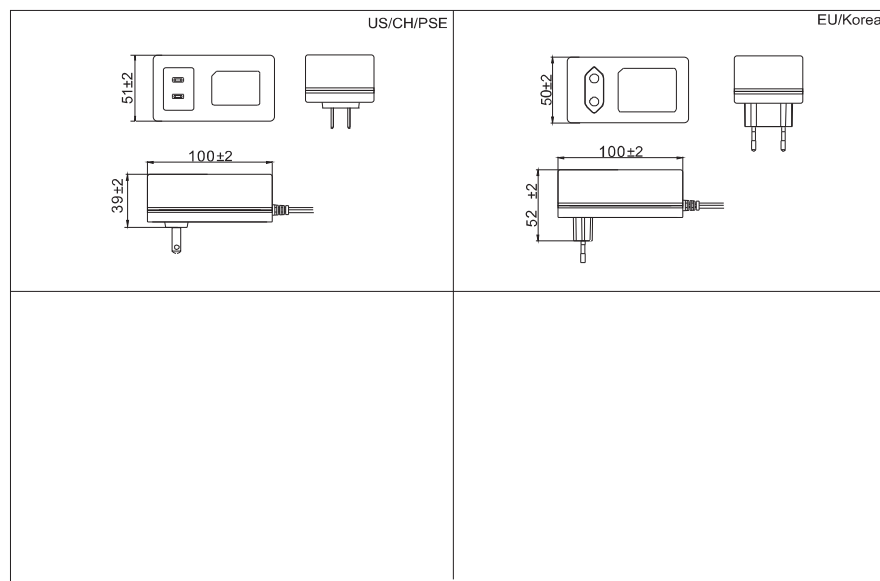
Emission and Immunity:FCC PATR15/CISPR22, GB9254,GB17625.1  
EN/AS/NZA/K/J 55032/35/14/24 Class B, EN61000-3,4

Safety: UL/CUL 60950,GB4943,J60950,K60950  
IEC/EN/AS/NZA60950/60065/60335

#### NOTE:

1. Voltage accuracy at 60% full load.
2. Add a 0.1uF ceramic capacitor and a 10uF E.L. capacitor to output for Ripple & Noise measurement @20MHz BW.
3. Line regulation is measured from 100V to 240Vac full load.
4. Load regulation is measured from 60% to 100% full load and from 60% to 20% full load (60% +/- 40% full load)

### Mechanical Specification



All Dimensions are in mm, Tolerance: X.X±0.5

Typical at 25°C, nominal line and 75% load, unless otherwise Specified



### Features

- \* Universal Input Range 90~264VAC
- \* Continuous Short Circuit Protection
- \* Over Voltage Protection
- \* Meet CEC & ErP Level VI
- \* Input Plugs can be Changed and Replaced for Various Countries / Regions



## KT05W SERIES

6W SWITCHING AC-DC ADAPTER  
Interchangeable Plug Type

### Typical Model List

OUTPUT VOLTAGE	OUTPUT CURRENT	RIPPLE & NOISE (*NOTE 2)	VOLTAGE ACCURACY (*NOTE 1)	LINE REGULATION (*NOTE 3)	LOAD REGULATION (*NOTE 4)	MAX OUTPUT POWER
3.6-5.0V	1200mA	250mV	±5%	±2%	±5%	6.0W
5.1-6.0V	1000mA	250mV	±5%	±2%	±5%	6.0W
7.0-12V	660mA	250mV	±5%	±2%	±5%	6.0W

Specifications are subject to change without notice

### Specification

#### INPUT SPECIFICATIONS:

Voltage ..... 90~264Vac  
 Frequency ..... 50 to 60Hz  
 Input Current ..... 0.2A max.  
 Inrush Current ..... Cold Start @25°C 50A max. @240Vac  
 Leakage Current ..... 0.25mA max.

#### OUTPUT SPECIFICATIONS:

Hold-up Time ..... 10ms typ. @115Vac  
 Short Circuit Protection..... Continuous(Auto Recovery)  
 Over Voltage Protection..... Yes  
 Temperature Coefficient..... ±0.05%/°C

#### GENERAL SPECIFICATIONS:

Hi-pot ..... Input to output = 3.000VAC  
 Operating Temperature ..... 0 ~ 40°C  
 Storage Temperature..... -20 ~ 80°C  
 Humidity.....85% RH max. Non condensing

Cooling..... Natural Convection  
 Switching Frequency ..... 46-64KHz Typical  
 MTBF .....MIL-HDBK-217F, GB, at 25°C /115VAC.....50Khrs min.  
 Altitude ..... 5000m

#### SAFETY AND EMC:

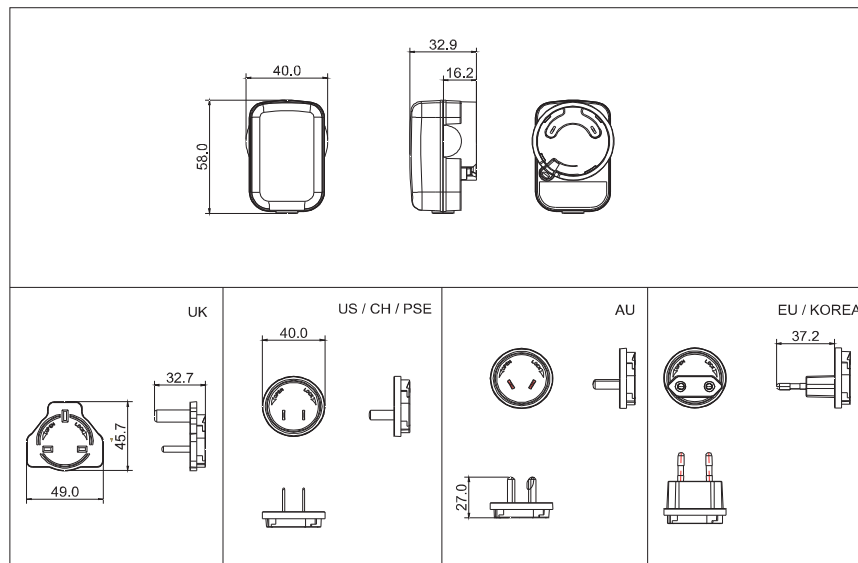
Emission and Immunity:FCC PATR15/CISPR22, GB9254,GB17625.1  
 EN/AS/NZA/K/J 55032/35/14/24 Class B, EN61000-3,4

Safety: UL/CUL 60950,GB4943,J60950,K60950  
 IEC/EN/AS/NZA60950/60065/61558

#### NOTE:

1. Voltage accuracy at 60% full load.
2. Add a 0.1uF ceramic capacitor and a 10uF E.L. capacitor to output for Ripple & Noise measurement @20MHz BW.
3. Line regulation is measured from 100V to 240Vac full load.
4. Load regulation is measured from 60% to 100% full load and from 60% to 20% full load (60% +/- 40% full load)

### Mechanical Specification



All Dimensions are in mm, Tolerance: X.X±0.5

Typical at 25°C, nominal line and 75% load, unless otherwise Specified





## KT12W SERIES

12W SWITCHING AC-DC ADAPTER  
Interchangeable plug Type



### Features

- \* Universal Input Range 90~264VAC
- \* Continuous Short Circuit Protection
- \* Over Voltage Protection
- \* Meet CEC & ErP Level VI
- \* Input Plugs can be Changed and Replaced for Various Countries / Regions

### Typical Model List

OUTPUT VOLTAGE	OUTPUT CURRENT	RIPPLE & NOISE (NOTE 2)	VOLTAGE ACCURACY (NOTE 1)	LINE REGULATION (NOTE 3)	LOAD REGULATION (NOTE 4)	MAX OUTPUT POWER
3.6-5.5V	2000mA	150mV	±5%	±1%	±5%	11.0W
5.6-8.9V	1960mA	150mV	±5%	±1%	±5%	11.16W
9.0V	1400mA	150mV	±5%	±1%	±5%	12.6W
9.1-11.8V	1310mA	150mV	±5%	±1%	±5%	12.0W
11.9-12.6V	1000mA	150mV	±5%	±1%	±5%	12.6W
12.7-19.0V	940mA	150mV	±5%	±1%	±5%	12.06W
19.1-30.7V	620mA	150mV	±5%	±1%	±5%	12.0W
30.8-32.0V	380mA	150mV	±5%	±1%	±5%	12.16W

Specifications are subject to change without notice

### Specification

#### INPUT SPECIFICATIONS:

Voltage ..... 90~264Vac  
Frequency ..... 47 to 63Hz  
Input Current ..... 0.4A max.  
Inrush Current ..... Cold Start @25°C 60A max. @240Vac  
Leakage Current ..... 0.25mA max.

#### OUTPUT SPECIFICATIONS:

Hold-up Time ..... 10ms typ. @115Vac  
Short Circuit Protection..... Continuous(Auto Recovery)  
Over Voltage Protection..... Yes  
Temperature Coefficient..... ±0.05%/°C

#### GENERAL SPECIFICATIONS:

Hi-pot ..... Input to output = 3.000VAC  
Operating Temperature ..... 0 ~ 35°C  
Storage Temperature..... -20 ~ 80°C  
Humidity.....85% RH max. Non condensing

Cooling..... Natural Convection  
Switching Frequency ..... 50KHz Typical  
MTBF .....MIL-HDBK-217F, GB, at 25°C/115VAC.....50Khrs min.  
Altitude ..... 5000m

#### SAFETY AND EMC:

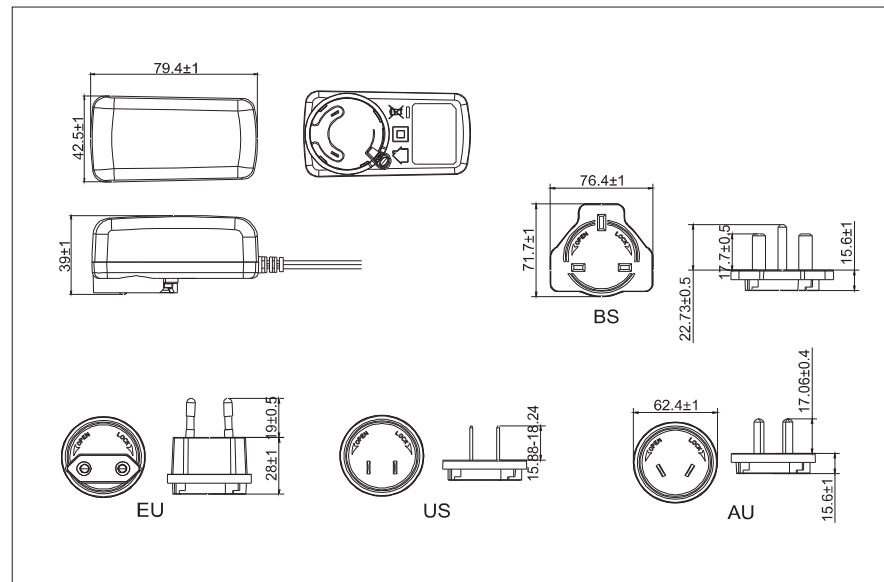
Emission and Immunity:FCC PATR15/CISPR22, GB9254, GB17625.1  
EN/AS/NZA/K/J 55032/35/14/24 Class B, EN61000-3,4

Safety: UL/CUL 60950, GB4943, J60950, K60950  
IEC/EN/AS/NZA60950/60065/61558

#### NOTE:

1. Voltage accuracy at 60% full load.
2. Add a 0.1uF ceramic capacitor and a 10uF E.L. capacitor to output for Ripple & Noise measurement @20MHz BW.
3. Line regulation is measured from 100V to 240Vac full load.
4. Load regulation is measured from 60% to 100% full load and from 60% to 20% full load (60% +/- 40% full load

### Mechanical Specification



All Dimensions are in mm, Tolerance: X.X±0.5

Typical at 25°C, nominal line and 75% load, unless otherwise Specified



## KT24W SERIES

24W SWITCHING AC-DC ADAPTER  
Interchangeable plug Type



### Features

- \* Universal Input Range 90~264VAC
- \* Continuous Short Circuit Protection
- \* Over Voltage Protection
- \* Meet CEC & ErP Level VI
- \* Input Plugs can be Changed and Replaced for Various Countries / Regions

### Typical Model List

OUTPUT VOLTAGE	OUTPUT CURRENT	RIPPLE & NOISE (NOTE 2)	VOLTAGE ACCURACY (NOTE 1)	LINE REGULATION (NOTE 3)	LOAD REGULATION (NOTE 4)	MAX OUTPUT POWER
4.0-5.0V	4000mA	150mV	±5%	±1%	±5%	20.0W
5.1-6.0V	3000mA	150mV	±5%	±1%	±5%	18.0W
7.0-12.0V	2000mA	150mV	±5%	±1%	±5%	24.0W
12.1-12.6V	1800mA	150mV	±5%	±1%	±5%	22.68W
12.7-15.0V	1500mA	150mV	±5%	±1%	±5%	22.5W
15.1-24.0V	1000mA	150mV	±5%	±1%	±5%	24.0W

Specifications are subject to change without notice

### Specification

#### INPUT SPECIFICATIONS:

Voltage ..... 90~264Vac  
Frequency ..... 47 to 63Hz  
Input Current ..... 0.8A max.  
Inrush Current ..... Cold Start @25°C 60A max. @240Vac  
Leakage Current ..... 0.25mA max.

#### OUTPUT SPECIFICATIONS:

Hold-up Time ..... 10ms typ. @115Vac  
Short Circuit Protection..... Continuous(Auto Recovery)  
Over Voltage Protection..... Yes  
Temperature Coefficient..... ±0.05%/°C

#### GENERAL SPECIFICATIONS:

Hi-pot ..... Input to output = 3.000VAC  
Operating Temperature ..... 0 ~ 40°C  
Storage Temperature..... -20 ~ 80°C  
Humidity.....85% RH max. Non condensing

Cooling..... Natural Convection  
Switching Frequency ..... 50KHz Typical  
MTBF .....MIL-HDBK-217F, GB, at 25°C/115VAC.....50Khrs min.  
Altitude ..... 5000m

#### SAFETY AND EMC:

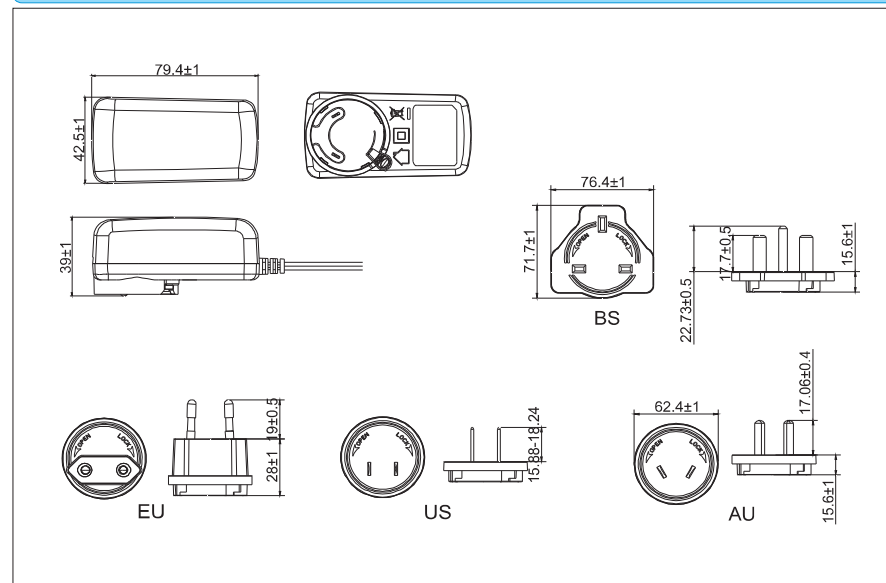
Emission and Immunity:FCC PATR15/CISPR22, GB9254, GB17625.1  
EN/AS/NZA/K/J 55032/35/14/24 Class B, EN61000-3,4

Safety: UL/CUL 60950, GB4943, J60950, K60950  
IEC/EN/AS/NZA60950/60065/61558

#### NOTE:

1. Voltage accuracy at 60% full load.
2. Add a 0.1uF ceramic capacitor and a 10uF E.L. capacitor to output for Ripple & Noise measurement @20MHz BW.
3. Line regulation is measured from 100V to 240Vac full load.
4. Load regulation is measured from 60% to 100% full load and from 60% to 20% full load (60% +/- 40% full load

### Mechanical Specification



All Dimensions are in mm, Tolerance: X.X±0.5

Typical at 25°C, nominal line and 75% load, unless otherwise Specified



## KT36W SERIES

36W SWITCHING AC-DC ADAPTER  
Interchangeable Plug Type



### Features

- \* Universal Input Range 90~264VAC
- \* Continuous Short Circuit Protection
- \* Over Voltage Protection
- \* Meet CEC & ErP Level VI
- \* Input Plugs can be Changed and Replaced for Various Countries / Regions

### Typical Model List

OUTPUT VOLTAGE	OUTPUT CURRENT	RIPPLE & NOISE (NOTE 2)	VOLTAGE ACCURACY (NOTE 1)	LINE REGULATION (NOTE 3)	LOAD REGULATION (NOTE 4)	MAX OUTPUT POWER
9.0-12.0V	3000mA	150mV	±5%	±1%	±5%	36.0W
12.1-19.0V	2970mA	150mV	±5%	±1%	±5%	36.0W
19.1-32.0V	1880mA	150mV	±5%	±1%	±5%	36.0W
32.1-48.0V	1120mA	150mV	±5%	±1%	±5%	36.0W

### Specification

#### INPUT SPECIFICATIONS:

Voltage ..... 90~264Vac  
Frequency ..... 47 to 63Hz  
Input Current ..... 1.0A max.  
Inrush Current ..... Cold Start @25°C 60A max. @240Vac  
Leakage Current ..... 0.25mA max.

#### OUTPUT SPECIFICATIONS:

Hold-up Time ..... 10ms typ. @115Vac  
Short Circuit Protection..... Continuous(Auto Recovery)  
Over Voltage Protection..... Yes  
Temperature Coefficient..... ±0.05%/°C

#### GENERAL SPECIFICATIONS:

Hi-pot ..... Input to output = 3.000VAC  
Operating Temperature ..... 0 ~ 40°C  
Storage Temperature..... -20 ~ 80°C  
Humidity.....85% RH max. Non condensing

Cooling..... Natural Convection  
Switching Frequency ..... 50KHz Typical  
MTBF .....MIL-HDBK-217F, GB, at 25°C/115VAC.....50Khrs min.  
Altitude ..... 5000m

#### SAFETY AND EMC:

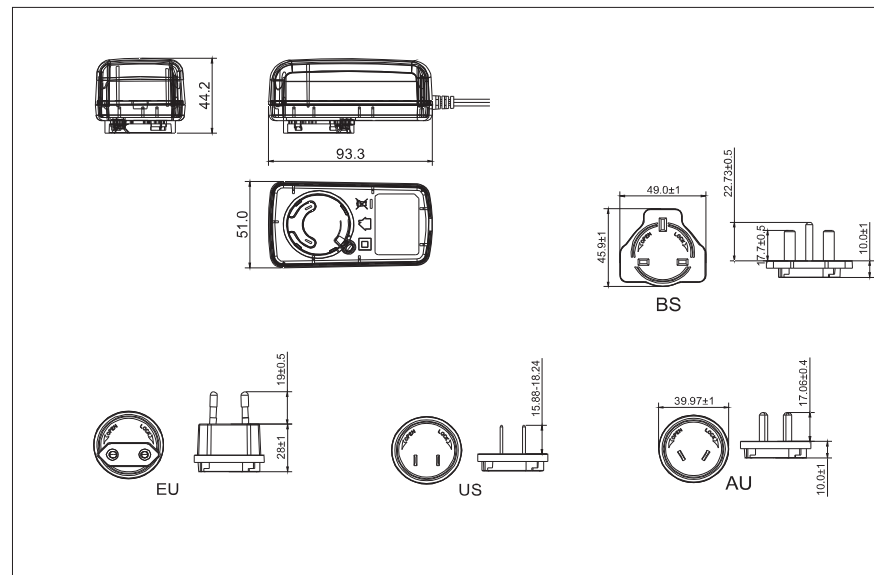
Emission and Immunity:FCC PATR15/CISPR22, GB9254, GB17625.1  
EN/AS/NZA/K/J 55032/35/14/24 Class B, EN61000-3,4

Safety: UL/CUL 60950, GB4943, J60950, K60950  
IEC/EN/AS/NZA60950/60065/60335

#### NOTE:

1. Voltage accuracy at 60% full load.
2. Add a 0.1uF ceramic capacitor and a 10uF E.L. capacitor to output for Ripple & Noise measurement @20MHz BW.
3. Line regulation is measured from 100V to 240Vac full load.
4. Load regulation is measured from 60% to 100% full load and from 60% to 20% full load (60% +/- 40% full load)

### Mechanical Specification



All Dimensions are in mm, Tolerance: X.X±0.5



## KT65W SERIES

### 65W SWITCHING AC-DC ADAPTER

Interchangeable Plug Type



### Features

- \* Universal Input Range 90~264VAC
- \* Continuous Short Circuit Protection
- \* Over Voltage Protection
- \* Meet CEC & ErP Level VI
- \* Input Plugs can be Changed and Replaced for Various Countries / Regions

### Typical Model List

MODEL NAME	RATED OUTPUT VOLTAGE RANGE(VDC)	RATED OUTPUT CURRENT RANGE(A)	Max. OUTPUT POWER(W)
KT60WxxxyyyH	12.0-18.9	0.10-5.0	60.00
	19.0-30.0	0.10-3.43	65.17
	30.1-54.0	0.10-1.99	60.00

xxx=120-540,12-54V,yyy=001-500,0.01A-5.00A,

MODEL NO. (Typ.)	KT60W120500B3	KT60W190343B3	KT60W240271B3	KT60W360166B3	KT60W480125B3
<b>DC VOLTAGE</b>	12V.dc	19V.dc	24V.dc	36V.dc	48V.dc
<b>RATED CURRENT</b>	5.00A	3.43A	2.71A	1.66A	1.25A
<b>CURRENT RANGE</b>	0.1-5.00A	0.1-3.43A	0.1-2.71A	0.1-1.66A	0.1-1.25A
<b>RIPPLE&amp;NOISE</b>	Max.250mVp-p	Max.250mVp-p	Max.250mVp-p	Max.250mVp-p	Max.250mVp-p
<b>VOLTAGE TOLERANCE</b>	±5.00%	±5.00%	±5.00%	±5.00%	±5.00%
<b>LINE REGULATION</b>	±1.00%	±1.00%	±1.00%	±1.00%	±1.00%
<b>LOAD REGULATION</b>	±5.00%	±5.00%	±5.00%	±5.00%	±5.00%

Specifications are subject to change without notice

### Specification

#### INPUT SPECIFICATIONS:

Voltage ..... 90~264Vac  
 Frequency ..... 47 to 63Hz  
 Input Current ..... 1.5A max.  
 Inrush Current ..... Cold Start @25°C 60A max. @240Vac  
 Leakage Current ..... 0.25mA max.

#### OUTPUT SPECIFICATIONS:

Hold-up Time ..... 10ms typ. @115Vac  
 Short Circuit Protection..... Continuous(Auto Recovery)  
 Over Voltage Protection..... Yes  
 Temperature Coefficient..... ±0.05%/°C

#### GENERAL SPECIFICATIONS:

Hi-pot ..... Input to output = 3.000VAC  
 Operating Temperature ..... 0 ~ 40°C  
 Storage Temperature..... -20 ~ 80°C  
 Humidity......85% RH max. Non condensing

Cooling..... Natural Convection  
 Switching Frequency ..... 50KHz Typical  
 MTBF .....MIL-HDBK-217F, GB, at 25°C/115VAC.....50Khrs min.  
 Altitude ..... 5000m

#### SAFETY AND EMC:

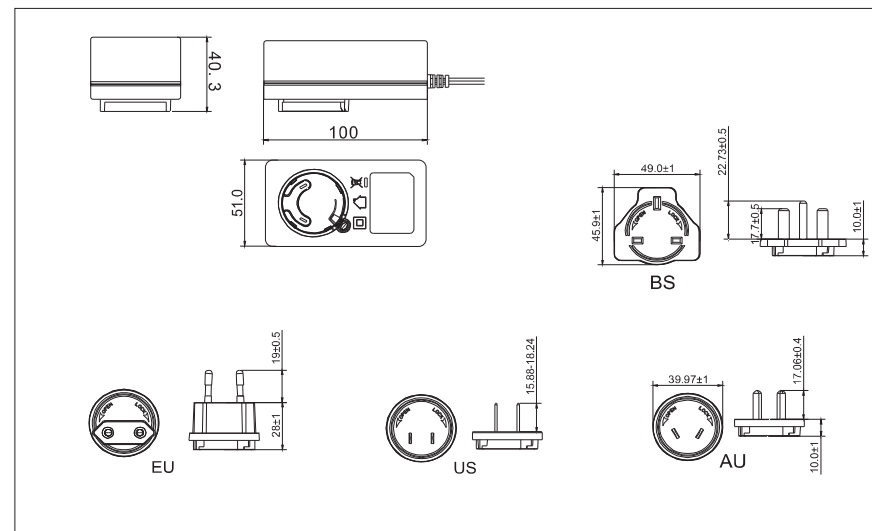
Emission and Immunity:FCC PATR15/CISPR22, GB9254, GB17625.1  
 EN/AS/NZA/K/J 55032/35/14/24 Class B, EN61000-3,4

Safety: UL/CUL 60950, GB4943, J60950, K60950  
 IEC/EN/AS/NZA60950/60065/60335, UL 1310

#### NOTE:

1. Voltage accuracy at 60% full load.
2. Add a 0.1uF ceramic capacitor and a 10uF E.L. capacitor to output for Ripple & Noise measurement @20MHz BW.
3. Line regulation is measured from 100V to 240Vac full load.
4. Load regulation is measured from 60% to 100% full load and from 60% to 20% full load (60% +/- 40% full load

### Mechanical Specification



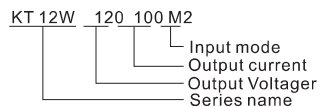
All Dimensions are in mm, Tolerance: X.X±0.5

Typical at 25°C, nominal line and 75% load, unless otherwise Specified

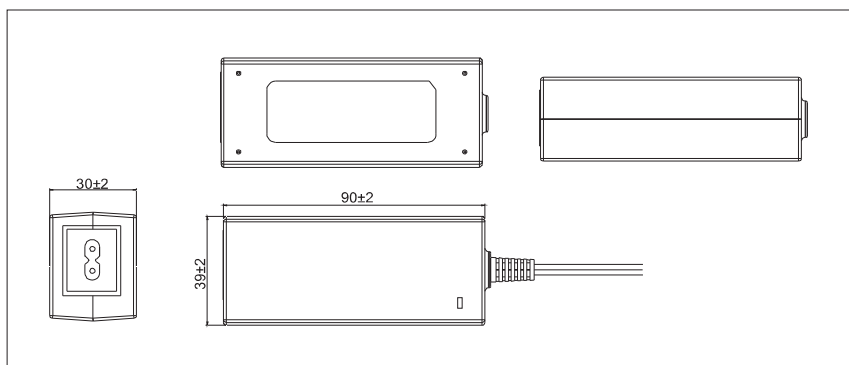
## Features

- \* Universal AC input/Full range
- \* AC inlet: C8
- \* No load power consumption <0.075W
- \* **Energy efficiency Level VI**
- \* Comply with EISA 2007/DOE,NRCAN,AU GEMS, EU ErP and CoC version 5
- \* Class II Power
- \* Protections:short circuit/Overload/Over Voltage /Over temperature
- \* Fanless design with -10 to +40°C
- \* Fully enclosed plastic case
- \* LED indicator for power on

## Model encoding



## Mechanical spec.



## KT12W SERIES

12W SWITCHING AC-DC ADAPTER

Desk-Top Type



### Applications

- \* consumer electronic devices
- \* I.T.E and A.V devices
- \* Home Appliances and Toy devices
- \* Office facilities
- \* LED driver



## SPECIFICATION

	MODEL NO.(Typ.)	KT12W120100M2	KT12W190063M2	KT12W240050M2	KT12W050200M2	KT12W320037M2
OUTPUT	DC VOLTAGE	12V.dc	19V.dc	24V.dc	5V.dc	32V.dc
	RATED CURRENT	1.00A	0.63A	0.5A	2.00A	0.37A
	CURRENT RANGE	0.1-1.00A	0.1-0.63A	0.1-0.5A	0.1-2.00A	0.1-0.37A
	RIPPLE&NOISE	Max.250mVp-p	Max.250mVp-p	Max.250mVp-p	Max.250mVp-p	Max.250mVp-p
	VOLTAGE TOLERANCE	±5.00%	±5.00%	±5.00%	±5.00%	±5.00%
	LINE REGULATION	±1.00%	±1.00%	±1.00%	±1.00%	±1.00%
	LOAD REGULATION	±5.00%	±5.00%	±5.00%	±5.00%	±5.00%
	SETUP,RISE TIME	2500ms, 50ms/230Vac 3000ms, 50ms/115Vac at full load				
	HOLD UP TIME(Typ.)	20ms/230Vac 20ms/115Vac at full load				
	INPUT	VOLTAGE RANGE	90-264Vac			
FREQUENCY RANGE		50/60Hz				
POWER FACTOR		N/A				
EFFICIENCY		Min.83.0% All models				
AC CURRENT		Max. 0.4A				
INRUSH CURRENT		Max. 60A				
LEAKAGE CURRENT		Max. 0.75mA/240Vac				
PROTECTION	OVERLOAD	105-200% rated output power Protection type: Hiccup mode,recovers automatically after fault condition is removed				
	OVER VOLTAGE	105-150% rated output voltage Protection type: Hiccup mode @ 50% load				
	OVER TEMPERATURE	Protection type: Shut down o/p voltage, re-power on to recover				
ENVIRONMENT	WORKING TEMP.	-10 to +40°C				
	WORKING HUMIDITY	20% to 90% RH non-condensing				
	STORAGE TEMP., HUMIDITY	-20 to +80°C, 10-95%RH				
	TEMP.COEFFICIENT	±0.03%/°C (0-50°C)				
SAFETY & EMC	SAFETY STD.	UL/UL 60950, IEC/EN/AS/NZA60950/60065/61558,GB4943,J60950,K60950				
	ISOLATION RESISTANCE	I/P-O/P:3.0KVac I/P-FG:1.8KVac O/P-FG:SHORT				
	EMC-EMISSION	EN/AS/NZA/K/J55032/35/24/14 Class B ,FCC PATR15/CISPR22 Class B , GB9254,GB17625.1				
	EMC IMMUNITY	Compliance to EN61000-3,4,light industry level, criteria A				
OTHERS	AC INLET	C8 for Class II devices				
	MTBF	50K hrs min., MIL-HDBK-217F(25°C)				
	DIMENSION	90X39X30mm ( L x W x H )				

## ALL MODEL LIST

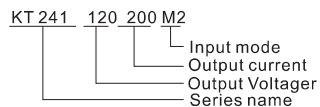
MODEL NAME	RATED OUTPUT VOLTAGE RANGE(VDC)	RATED OUTPUT CURRENT RANGE(A)	Max. OUTPUT POWER(W)
KT12WxxxxyyM2	4.0-18.9	0.10-2.00	12.00
	19.0-24.0	0.10-0.63	12.00
	24.1-32.0	0.10-0.49	12.00

xxx=040-320,4-32V,yyy=001-200,0.01A-2.00A,  
KT12WxxxxyyM2 is desk top-on equipment with AC appliance inlet C8 type , Class II devices.

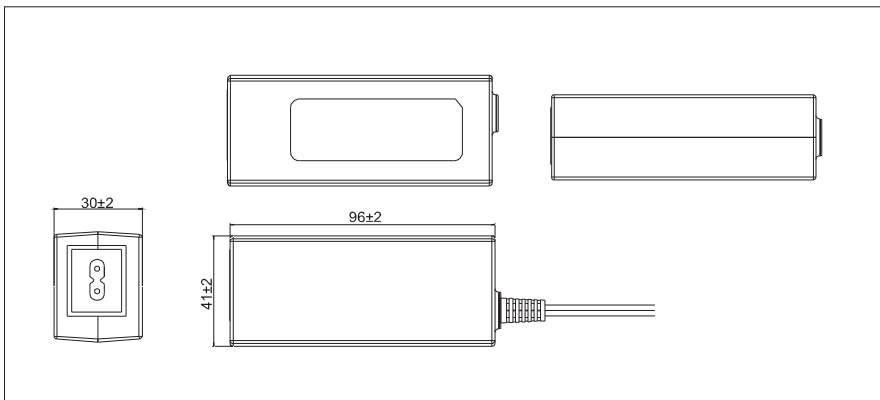
## Features

- \* Universal AC input/Full range
- \* AC inlet: C8
- \* No load power consumption <0.075W
- \* **Energy efficiency Level VI**
- \* Comply with EISA 2007/DOE,NRCAN,AU GEMS, EU ErP and CoC version 5
- \* Class II Power
- \* Protections: short circuit/Overload/Over Voltage /Over temperature
- \* Fanless design with -10 to +40°C
- \* Fully enclosed plastic case
- \* LED indicator for power on

## Model encoding



## Mechanical spec.



## KT24W SERIES

24W SWITCHING AC-DC ADAPTER

Desk-Top Type



### Applications

- \* consumer electronic devices
- \* I.T.E and A.V devices
- \* Home Appliances and Toy devices
- \* Office facilities
- \* LED driver



## SPECIFICATION

	MODEL NO.(Typ.)	KT241120200M2	KT241190126M2	KT241240100M2	KT241050400M2	KT241480050M2
OUTPUT	DC VOLTAGE	12V.dc	19V.dc	24V.dc	5.0V.dc	48V.dc
	RATED CURRENT	2.00A	1.26A	1.00A	4.00A	0.50A
	CURRENT RANGE	0.1-2.00A	0.1-1.26A	0.1-1.00A	0.1-4.00A	0.1-0.50A
	RIPPLE&NOISE	Max.250mVp-p	Max.250mVp-p	Max.250mVp-p	Max.250mVp-p	Max.250mVp-p
	VOLTAGE TOLERANCE	±5.00%	±5.00%	±5.00%	±5.00%	±5.00%
	LINE REGULATION	±1.00%	±1.00%	±1.00%	±1.00%	±1.00%
	LOAD REGULATION	±5.00%	±5.00%	±5.00%	±5.00%	±5.00%
	SETUP,RISE TIME	2500ms, 50ms/230Vac 3000ms, 50ms/115Vac at full load				
	HOLD UP TIME(Typ.)	20ms/230Vac 20ms/115Vac at full load				
	INPUT	VOLTAGE RANGE	90-264Vac			
FREQUENCY RANGE		50/60Hz				
POWER FACTOR		N/A				
EFFICIENCY		Min.86.2% All models				
AC CURRENT		Max. 0.8A				
INRUSH CURRENT		Max. 60A				
LEAKAGE CURRENT		Max. 0.75mA/240Vac				
PROTECTION	OVERLOAD	105-200% rated output power Protection type: Hiccup mode,recovers automatically after fault condition is removed				
	OVER VOLTAGE	105-150% rated output voltage Protection type: Hiccup mode @ 50% load				
	OVER TEMPERATURE	Protection type: Shut down o/p voltage, re-power on to recover				
ENVIRONMENT	WORKING TEMP.	-10 to +40°C				
	WORKING HUMIDITY	20% to 90% RH non-condensing				
	STORAGE TEMP., HUMIDITY	-20 to +80°C, 10-95%RH				
	TEMP.COEFFICIENT	±0.03%/°C (0-50°C)				
SAFETY & EMC	SAFETY STD.	UL/UL 60950, IEC/EN/AS/NZA60950/60065/61558,GB4943,J60950,K60950				
	ISOLATION RESISTANCE	I/P-O/P:3.0KVac I/P-FG:1.8KVac O/P-FG:SHORT				
	EMC-EMISSION	EN/AS/NZA/K/J55032/35/24/14 Class B ,FCC PATR15/CISPR22 Class B , GB9254,GB17625.1				
OTHERS	EMC IMMUNITY	Compliance to EN61000-3,4,light industry level, criteria A				
	AC INLET	C8 for Class II devices				
	MTBF	50K hrs min., MIL-HDBK-217F(25°C)				
	DIMENSION	96X41X30mm ( L x W x H )				

## ALL MODEL LIST

MODEL NAME	RATED OUTPUT VOLTAGE RANGE(VDC)	RATED OUTPUT CURRENT RANGE(A)	Max. OUTPUT POWER(W)
KT241xxxxyyM2	4.0-18.9	0.10-4.00	24.00
	19.0-30.0	0.10-1.26	24.00
	30.1-48.0	0.10-0.79	24.00

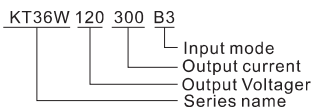
xxx=040-480,4-48V,yyy=001-400,0.01A-4.00A,  
KT241xxxxyyM2 is desk top-on equipment with AC appliance inlet C8 type , Class II devices.



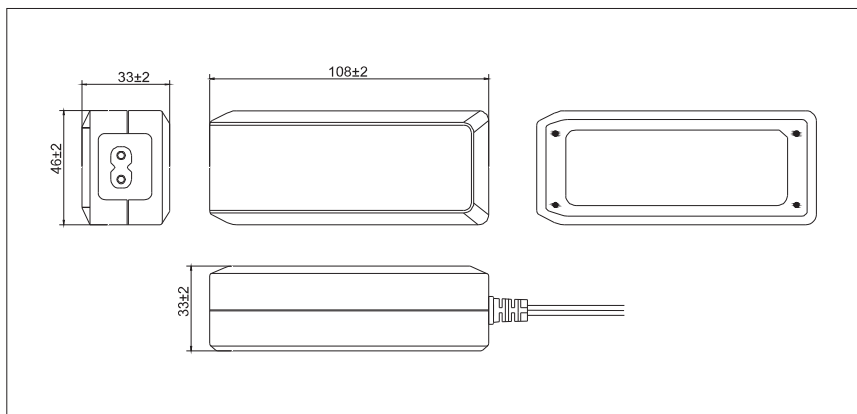
## Features

- \* Universal AC input/Full range
- \* AC inlet: C14/ C6/ C8
- \* No load power consumption <0.075W
- \* **Energy efficiency Level VI**
- \* Comply with EISA 2007/DOE,NRCAN,AU GEMS, EU ErP and CoC version 5
- \* Class I or Class II Power
- \* Protections: short circuit/Overload/Over Voltage /Over temperature
- \* Fanless design with -10 to +40°C
- \* Fully enclosed plastic case
- \* LED indicator for power on

## Model encoding



## Mechanical spec.



## KT36W SERIES

36W SWITCHING AC-DC ADAPTER  
Desk-Top Type



### Applications

- \* consumer electronic devices
- \* I.T.E and A.V devices
- \* Home Appliances and Toy devices
- \* Office facilities
- \* LED driver



## SPECIFICATION

	MODEL NO.(Typ.)	KT36W120300B3	KT36W190189B3	KT36W240150B3	KT36W360100B3	KT36W480075B3
OUTPUT	DC VOLTAGE	12V.dc	19V.dc	24V.dc	36V.dc	48V.dc
	RATED CURRENT	3.00A	1.89A	1.50A	1.00A	0.75A
	CURRENT RANGE	0.1-3.00A	0.1-1.89A	0.1-1.50A	0.1-1.00A	0.1-0.75A
	RIPPLE&NOISE	Max.250mVp-p	Max.250mVp-p	Max.250mVp-p	Max.250mVp-p	Max.250mVp-p
	VOLTAGE TOLERANCE	±5.00%	±5.00%	±5.00%	±5.00%	±5.00%
	LINE REGULATION	±1.00%	±1.00%	±1.00%	±1.00%	±1.00%
	LOAD REGULATION	±5.00%	±5.00%	±5.00%	±5.00%	±5.00%
	SETUP,RISE TIME	2500ms, 50ms/230Vac 3000ms, 50ms/115Vac at full load				
	HOLD UP TIME(Typ.)	20ms/230Vac 20ms/115Vac at full load				
	INPUT	VOLTAGE RANGE	90-264Vac			
FREQUENCY RANGE		50/60Hz				
POWER FACTOR		N/A				
EFFICIENCY		Min.87.4% All models				
AC CURRENT		Max. 1.0A				
INRUSH CURRENT		Max. 120A				
LEAKAGE CURRENT		Max. 0.75mA/240Vac				
PROTECTION	OVERLOAD	105-200% rated output power Protection type: Hiccup mode,recovers automatically after fault condition is removed				
	OVER VOLTAGE	105-150% rated output voltage Protection type: Hiccup mode @ 50% load				
	OVER TEMPERATURE	Protection type: Shut down o/p voltage, re-power on to recover				
ENVIRONMENT	WORKING TEMP.	-10 to +40°C				
	WORKING HUMIDITY	20% to 90% RH non-condensing				
	STORAGE TEMP., HUMIDITY	-20 to +80°C, 10-95%RH				
SAFETY & EMC	TEMP.COEFFICIENT	±0.03%/°C (0-50°C)				
	SAFETY STD.	UL/UL 60950, IEC/EN/AS/NZA60950/60065/61558,GB4943,J60950,K60950				
	ISOLATION RESISTANCE	I/P-O/P:3.0kVac I/P-FG:1.8kVac O/P-FG:SHORT				
OTHERS	EMC-EMISSION	EN/AS/NZA/K/J55032/35/24/14 Class B ,FCC PATR15/CISPR22 Class B , GB9254,GB17625.1				
	EMC IMMUNITY	Compliance to EN61000-3,4,light industry level, criteria A				
OTHERS	AC INLET	Inlet type C14 or C6 for class I devices, C8 for Class II devices				
	MTBF	50K hrs min., MIL-HDBK-217F(25°C)				
	DIMENSION	108X46X33mm (L x W x H)				

## ALL MODEL LIST

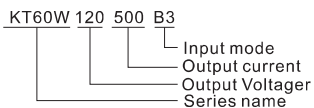
MODEL NAME	RATED OUTPUT VOLTAGE RANGE(VDC)	RATED OUTPUT CURRENT RANGE(A)	Max. OUTPUT POWER(W)
KT36WxxxxyyM2	9.0-18.9	0.10-3.00	36.00
KT36WxxxxyyM3	19.0-30.0	0.10-1.89	36.00
KT36WxxxxyyB3	30.1-48.0	0.10-1.19	36.00

xxx=090-480,9-48V,yyy=001-300,0.01A-3.00A,  
KT36WxxxxyyM3 is desk top-on equipment with AC appliance inlet C6 type, Class I devices.  
KT36WxxxxyyB3 is desk top-on equipment with AC appliance inlet C14 type, Class I devices.  
KT36WxxxxyyM2 is desk top-on equipment with AC appliance inlet C8 type, Class II devices.

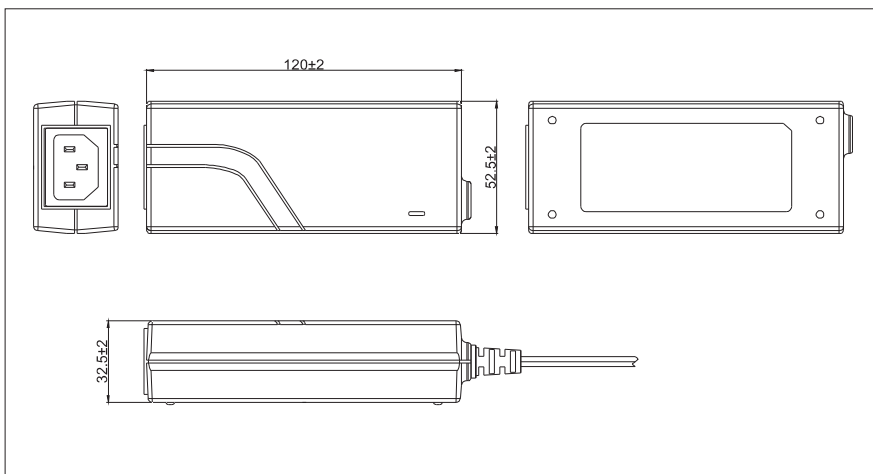
## Features

- \* Universal AC input/Full range
- \* AC inlet: C14/ C6/ C8
- \* No load power consumption <0.075W
- \* **Energy efficiency Level VI**
- \* Comply with EISA 2007/DOE,NRCAN,AU GEMS, EU ErP and CoC version 5
- \* Class I or Class II Power
- \* Protections: short circuit/Overload/Over Voltage /Over temperature
- \* Fanless design with -10 to +40°C
- \* Fully enclosed plastic case
- \* LED indicator for power on

## Model encoding



## Mechanical spec.



## KT65W SERIES

65W SWITCHING AC-DC ADAPTER  
Desk-Top Type



### Applications

- \* consumer electronic devices
- \* I.T.E and A.V devices
- \* Home Appliances and Toy devices
- \* Office facilities
- \* LED driver



## SPECIFICATION

	MODEL NO.(Typ.)	KT60W120500B3	KT60W190343B3	KT60W240271B3	KT60W360166B3	KT60W480125B3
OUTPUT	DC VOLTAGE	12V.dc	19V.dc	24V.dc	36V.dc	48V.dc
	RATED CURRENT	5.00A	3.43A	2.71A	1.66A	1.25A
	CURRENT RANGE	0.1-5.00A	0.1-3.43A	0.1-2.71A	0.1-1.66A	0.1-1.25A
	RIPPLE&NOISE	Max.250mVp-p	Max.250mVp-p	Max.250mVp-p	Max.250mVp-p	Max.250mVp-p
	VOLTAGE TOLERANCE	±5.00%	±5.00%	±5.00%	±5.00%	±5.00%
	LINE REGULATION	±1.00%	±1.00%	±1.00%	±1.00%	±1.00%
	LOAD REGULATION	±5.00%	±5.00%	±5.00%	±5.00%	±5.00%
	SETUP,RISE TIME	2500ms, 50ms/230Vac 3000ms, 50ms/115Vac at full load				
	HOLD UP TIME(Typ.)	20ms/230Vac 20ms/115Vac at full load				
	INPUT	VOLTAGE RANGE	90-264Vac			
FREQUENCY RANGE		50/60Hz				
POWER FACTOR		N/A				
EFFICIENCY		Min.88% All models				
AC CURRENT		Max. 1.3A				
INRUSH CURRENT		Max. 120A				
LEAKAGE CURRENT		Max. 0.75mA/240Vac				
PROTECTION	OVERLOAD	105-200% rated output power Protection type: Hiccup mode,recovers automatically after fault condition is removed				
	OVER VOLTAGE	105-150% rated output voltage Protection type: Hiccup mode @ 50% load				
	OVER TEMPERATURE	Protection type: Shut down o/p voltage, re-power on to recover				
ENVIRONMENT	WORKING TEMP.	-10 to +40°C				
	WORKING HUMIDITY	20% to 90% RH non-condensing				
	STORAGE TEMP., HUMIDITY	-20 to +80°C, 10-95%RH				
	TEMP.COEFFICIENT	±0.03%/°C (0-50°C)				
SAFETY & EMC	SAFETY STD.	UL/CUL 60950/1310, IEC/EN/AS/NZA60950/60065/60335,GB4943,J60950,K60950				
	ISOLATION RESISTANCE	I/P-O/P:3.0kVac I/P-FG:1.8kVac O/P-FG:SHORT				
	EMC-EMISSION	EN/AS/NZA/K/J55032/35/24/14 Class B ,FCC PATR15/CISPR22 Class B , GB9254,GB17625.1				
OTHERS	EMC IMMUNITY	Compliance to EN61000-3,4,light industry level, criteria A				
	AC INLET	Inlet type C14 or C6 for class I devices, C8 for Class II devices				
	MTBF	50K hrs min., MIL-HDBK-217F(25°C)				
	DIMENSION	120X52X32mm (L x W x H)				

## ALL MODEL LIST

MODEL NAME	RATED OUTPUT VOLTAGE RANGE(VDC)	RATED OUTPUT CURRENT RANGE(A)	Max. OUTPUT POWER(W)
KT60WxxxxyyM2	12.0-18.9	0.10-5.0	60.00
KT60WxxxxyyM3	19.0-30.0	0.10-3.43	65.17
KT60WxxxxyyB3	30.1-54.0	0.10-1.99	60.00

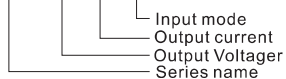
xxx=120-540,12-54V,yyy=001-500,0.01A-5.00A,  
KT60WxxxxyyM3 is desk top-on equipment with AC appliance inlet C6 type, Class I devices.  
KT60WxxxxyyB3 is desk top-on equipment with AC appliance inlet C14 type, Class I devices.  
KT60WxxxxyyM2 is desk top-on equipment with AC appliance inlet C8 type, Class II devices.

## Features

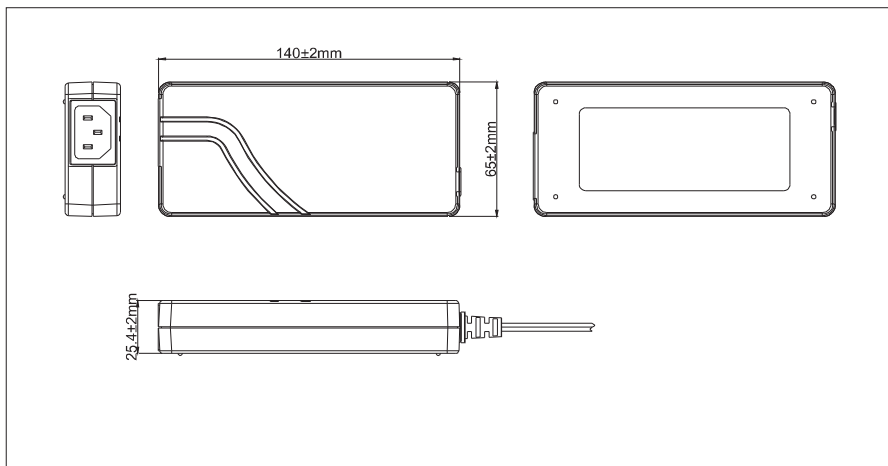
- \* Universal AC input/Full range
- \* AC inlet: C14/ C6/ C8
- \* Built-in Active PFC Function
- \* No load power consumption <0.075W
- \* **Energy efficiency Level VI**
- \* Comply with EISA 2007/DOE,NRCAN,AU GEMS, EU ErP and CoC version 5
- \* Class II or Class II Power
- \* Protections: short circuit/Overload/Over Voltage /Over temperature
- \* Fanless design with -10 to +40°C
- \* Fully enclosed plastic case

## Model encoding

KT090A 120 0667 B3



## Mechanical spec.



## KT90W SERIES

90W SWITCHING AC-DC ADAPTER  
Desk-Top Type



### Applications

- \* consumer electronic devices
- \* I.T.E and A.V devices
- \* Office facilities
- \* LED devices



## SPECIFICATION

	MODEL NO.(Typ.)	KT090A1200667B3	KT090A1900473B3	KT090A2400375B3	KT090A3600250B3	KT090A4800187B3
OUTPUT	DC VOLTAGE	12V.dc	19V.dc	24V.dc	36V.dc	48V.dc
	RATED CURRENT	6.67A	4.73A	3.75A	2.5A	1.87A
	CURRENT RANGE	0.1-6.67A	0.1-4.73A	0.1-3.75A	0.1-2.5A	0.1-1.87A
	RIPPLE&NOISE	Max.300mVp-p	Max.350mVp-p	Max.350mVp-p	Max.350mVp-p	Max.350mVp-p
	VOLTAGE TOLERANCE	±5.00%	±5.00%	±5.00%	±5.00%	±5.00%
	LINE REGULATION	±1.00%	±1.00%	±1.00%	±1.00%	±1.00%
	LOAD REGULATION	±5.00%	±5.00%	±5.00%	±5.00%	±5.00%
SETUP,RISE TIME	2500ms, 50ms/230Vac 3000ms, 50ms/115Vac at full load					
HOLD UP TIME(Typ.)	20ms/230Vac 20ms/115Vac at full load					
INPUT	VOLTAGE RANGE	90-264Vac				
	FREQUENCY RANGE	50/60Hz				
	POWER FACTOR	PF >0.9/230Vac PF >0.9/115Vac at full load				
	EFFICIENCY	Min.88% All models				
	AC CURRENT	Max. 1.5A				
	INRUSH CURRENT	Max. 120A				
	LEAKAGE CURRENT	Max. 0.75mA/240Vac				
PROTECTION	OVERLOAD	105-200% rated output power Protection type: Hiccup mode,recovers automatically after fault condition is removed				
	OVER VOLTAGE	105-150% rated output voltage Protection type: Lock no output @ 50% load				
	OVER TEMPERATURE	Protection type: Shut down o/p voltage, re-power on to recover				
ENVIRONMENT	WORKING TEMP.	-10 to +40°C				
	WORKING HUMIDITY	20% to 90% RH non-condensing				
	STORAGE TEMP., HUMIDITY	-20 to +80°C, 10-95%RH				
	TEMP.COEFFICIENT	±0.03%/°C (0-50°C)				
SAFETY & EMC	SAFETY STD.	UL/ CUL 62368/60950, IEC/EN/AS/NZA60950/60065,GB4943,J60950,K60950				
	ISOLATION RESISTANCE	I/P-O/P:3.0kVac I/P-FG:1.8kVac O/P-FG:SHORT				
	EMC-EMISSION	EN/AS/NZA/K/J55032/35/24 Class B ,FCC PATR15/CISPR22 Class B , GB9254,GB17625.1				
OTHERS	EMC IMMUNITY	Compliance to EN61000-3,4,light industry level, criteria A				
	AC INLET	Inlet type C14 or C6 for class I devices, C8 for Class II devices				
	MTBF	50K hrs min., MIL-HDBK-217F(25°C)				
	DIMENSION	140X65X26mm (L x W x H)				

## ALL MODEL LIST

MODEL NAME	RATED OUTPUT VOLTAGE RANGE(VDC)	RATED OUTPUT CURRENT RANGE(A)	Max. OUTPUT POWER(W)
KT090AxxxxyyyM2	12.0-20.0	0.10-6.67	90.08
KT090AxxxxyyyM3	20.1-30.0	0.10-4.47	90.00
KT090AxxxxyyyB3	30.1-54.0	0.10-2.99	90.00

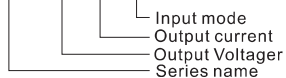
xxx=120-540,12-54V,yyy=0001-0667,0.01A-6.67A.  
KT090AxxxxyyyM3 is desk top-on equipment with AC appliance inlet C6 type, Class I devices.  
KT090AxxxxyyyB3 is desk top-on equipment with AC appliance inlet C14 type, Class I devices.  
KT090AxxxxyyyM2 is desk top-on equipment with AC appliance inlet C8 type, Class II devices.

## Features

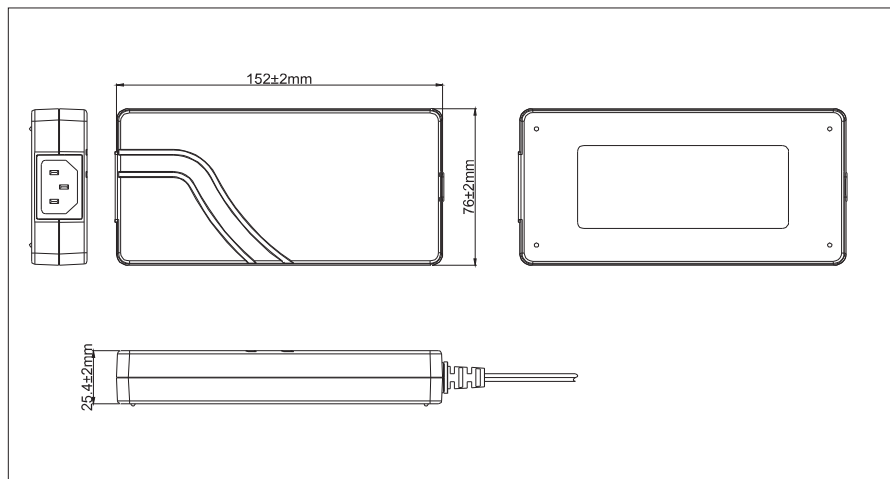
- \* Universal AC input/Full range
- \* AC inlet: C14/ C6/ C8
- \* Built-in Active PFC Function
- \* No load power consumption <0.075W
- \* **Energy efficiency Level VI**
- \* Comply with EISA 2007/DOE, NRCan, AU GEMS, EU ErP and CoC version 5
- \* Class I or Class II Power
- \* Protections: short circuit/Overload/Over Voltage /Over temperature
- \* Fanless design with -10 to +40°C
- \* Fully enclosed plastic case

## Model encoding

KT120A 120 0833 B3



## Mechanical spec.



## KT120W SERIES

120W SWITCHING AC-DC ADAPTER

Desk-Top Type



### Applications

- \* consumer electronic devices
- \* I.T.E and A.V devices
- \* Office facilities
- \* LED driver



## SPECIFICATION

	MODEL NO.(Typ.)	KT120A1200833B3	KT120A1900632B3	KT120A2400500B3	KT120A3600330B3	KT120A4800250B3
OUTPUT	DC VOLTAGE	12V.dc	19V.dc	24V.dc	36V.dc	48V.dc
	RATED CURRENT	8.33A	6.32A	5.00A	3.33A	2.5A
	CURRENT RANGE	0.1-8.33A	0.1-6.32A	0.1-5.00A	0.1-3.33A	0.1-2.5A
	RIPPLE&NOISE	Max.300mVp-p	Max.350mVp-p	Max.350mVp-p	Max.350mVp-p	Max.350mVp-p
	VOLTAGE TOLERANCE	±5.00%	±5.00%	±5.00%	±5.00%	±5.00%
	LINE REGULATION	±1.00%	±1.00%	±1.00%	±1.00%	±1.00%
	LOAD REGULATION	±5.00%	±5.00%	±5.00%	±5.00%	±5.00%
	SETUP,RISE TIME	2500ms, 50ms/230Vac 3000ms, 50ms/115Vac at full load				
	HOLD UP TIME(Typ.)	20ms/230Vac 20ms/115Vac at full load				
	INPUT	VOLTAGE RANGE	90-264Vac			
FREQUENCY RANGE		50/60Hz				
POWER FACTOR		PF >0.9/230Vac PF >0.9/115Vac at full load				
EFFICIENCY		Min.88% All models				
AC CURRENT		Max. 1.8A				
INRUSH CURRENT		Max. 120A				
LEAKAGE CURRENT		Max. 0.75mA/240Vac				
PROTECTION	OVERLOAD	105-200% rated output power Protection type: Hiccup mode,recovers automatically after fault condition is removed				
	OVER VOLTAGE	105-150% rated output voltage Protection type: Lock no output @ 50% load				
	OVER TEMPERATURE	Protection type: Shut down o/p voltage, re-power on to recover				
ENVIRONMENT	WORKING TEMP.	-10 to +40°C				
	WORKING HUMIDITY	20% to 90% RH non-condensing				
	STORAGE TEMP., HUMIDITY	-20 to +80°C, 10-95%RH				
	TEMP.COEFFICIENT	±0.03%/°C (0-50°C)				
SAFETY & EMC	SAFETY STD.	UL/CUL 62368/60950, IEC/EN/AS/NZA60950/60065, GB4943, J60950, K60950				
	ISOLATION RESISTANCE	I/P-O/P:3.0kVac I/P-FG:1.8kVac O/P-FG:SHORT				
	EMC-EMISSION	EN/AS/NZA/K/J55032/35/24 Class B ,FCC PATR15/CISPR22 Class B , GB9254, GB17625.1				
OTHERS	EMC IMMUNITY	Compliance to EN61000-3,4,light industry level, criteria A				
	AC INLET	Inlet type C14 or C6 for class I devices, C8 for Class II devices				
	MTBF	50K hrs min., MIL-HDBK-217F(25°C)				
	DIMENSION	152X76X26mm (L x W x H)				

## ALL MODEL LIST

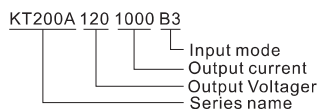
MODEL NAME	RATED OUTPUT VOLTAGE RANGE(VDC)	RATED OUTPUT CURRENT RANGE(A)	Max. OUTPUT POWER(W)
KT120AxxxxyyyM2	12.0-18.9	0.10-8.33	100.00
KT120AxxxxyyyM3	19.0-20.0	0.10-6.32	120.08
KT120AxxxxyyyB3	20.1-54.0	0.10-5.97	120.00

xxx=120-540,12-54V,yyy=0001-0833,0.01A-8.33A.  
 KT120AxxxxyyyM3 is desk top-on equipment with AC appliance inlet C6 type, Class I devices.  
 KT120AxxxxyyyB3 is desk top-on equipment with AC appliance inlet C14 type, Class I devices.  
 KT120AxxxxyyyM2 is desk top-on equipment with AC appliance inlet C8 type, Class II devices.

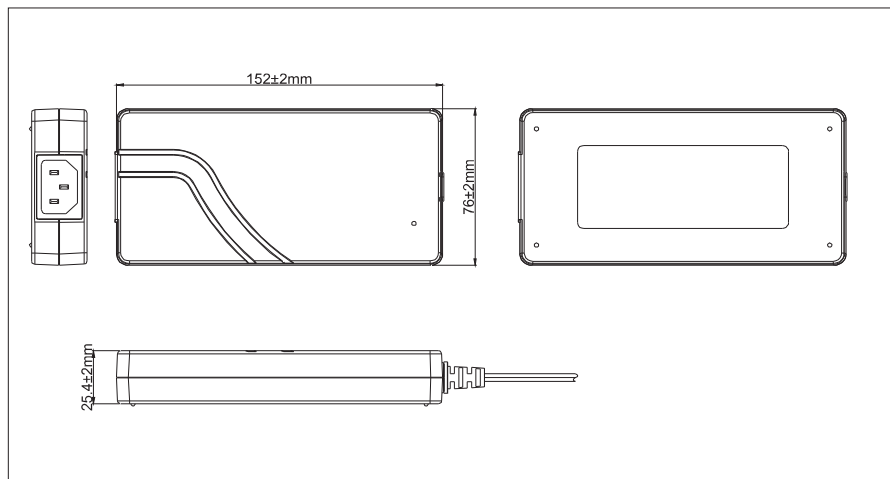
## Features

- \* Universal AC input/Full range
- \* AC inlet: C14/ C6/ C8
- \* Built-in Active PFC Function
- \* No load power consumption <0.075W
- \* **Energy efficiency Level VI**
- \* Comply with EISA 2007/DOE, NRCan, AU GEMS, EU ErP and CoC version 5
- \* ClassI or Class II Power
- \* Protections: short circuit/Overload/Over Voltage /Over temperature
- \* Fanless design with -10 to +40°C
- \* Fully enclosed plastic case
- \* LED indicator for power on

## Model encoding



## Mechanical spec.



## KT150W SERIES

150W SWITCHING AC-DC ADAPTER

Desk-Top Type



### Applications

- \* consumer electronic devices
- \* I.T.E and A.V devices
- \* Office facilities
- \* LED driver



## SPECIFICATION

	MODEL NO.(Typ.)	KT200A1201000B3	KT200A1900789B3	KT200A2400625B3	KT200A3600416B3	KT200A4800312B3
OUTPUT	DC VOLTAGE	12V.dc	19V.dc	24V.dc	36V.dc	48V.dc
	RATED CURRENT	10.00A	7.89A	6.25A	4.16A	3.12A
	CURRENT RANGE	0.1-10.00A	0.1-7.89A	0.1-6.25A	0.1-4.16A	0.1-3.12A
	RIPPLE&NOISE	Max.300mVp-p	Max.350mVp-p	Max.350mVp-p	Max.350mVp-p	Max.350mVp-p
	VOLTAGE TOLERANCE	±5.00%	±5.00%	±5.00%	±5.00%	±5.00%
	LINE REGULATION	±1.00%	±1.00%	±1.00%	±1.00%	±1.00%
	LOAD REGULATION	±5.00%	±5.00%	±5.00%	±5.00%	±5.00%
	SETUP,RISE TIME	2500ms, 50ms/230Vac 3000ms, 50ms/115Vac at full load				
	HOLD UP TIME(Typ.)	20ms/230Vac 20ms/115Vac at full load				
	INPUT	VOLTAGE RANGE	90-264Vac			
FREQUENCY RANGE		50/60Hz				
POWER FACTOR		PF >0.9/230Vac PF >0.9/115Vac at full load				
EFFICIENCY		Min.88% All models				
AC CURRENT		Max. 2.1A				
INRUSH CURRENT		Max. 120A				
LEAKAGE CURRENT		Max. 0.75mA/240Vac				
PROTECTION	OVERLOAD	105-200% rated output power Protection type: Hiccup mode,recovers automatically after fault condition is removed				
	OVER VOLTAGE	105-150% rated output voltage Protection type: Lock no output @ 50% load				
	OVER TEMPERATURE	Protection type: Shut down o/p voltage, re-power on to recover				
ENVIRONMENT	WORKING TEMP.	-10 to +40°C				
	WORKING HUMIDITY	20% to 90% RH non-condensing				
	STORAGE TEMP., HUMIDITY	-20 to +80°C, 10-95%RH				
	TEMP.COEFFICIENT	±0.03%/°C (0-50°C)				
SAFETY & EMC	SAFETY STD.	UL/CUL 62368, IEC/EN/AS/NZA62368, GB4943, J62368, K60950				
	ISOLATION RESISTANCE	I/P-O/P:3.0kVac I/P-FG:1.8kVac O/P-FG:SHORT				
	EMC-EMISSION	EN/AS/NZA/K/J55032/35/24 Class B ,FCC PATR15/CISPR22 Class B , GB9254, GB17625.1				
OTHERS	EMC IMMUNITY	Compliance to EN61000-3,4,light industry level, criteria A				
	AC INLET	Inlet type C14 or C6 for class I devices, C8 for Class II devices				
	MTBF	50K hrs min., MIL-HDBK-217F(25°C)				
	DIMENSION	152X76X26mm (L x W x H)				

## ALL MODEL LIST

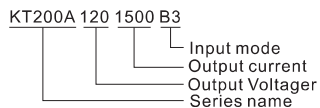
MODEL NAME	RATED OUTPUT VOLTAGE RANGE (VDC)	RATED OUTPUT CURRENT RANGE(A)	Max. OUTPUT POWER(W)
KT200AxxxxyyyM2	9.0-15.0	0.10-10.00	150.00
KT200AxxxxyyyM3	15.1-36.0	0.10-9.93	150.00
KT200AxxxxyyyB3	36.1-54.0	0.10-4.15	150.00

xxx=090-540,9-54V,yyyy=0001-1000,0.01A-10.00A,  
 KT200AxxxxyyyM3 is desk top-on equipment with AC appliance inlet C6 type, Class I devices.  
 KT200AxxxxyyyB3 is desk top-on equipment with AC appliance inlet C14 type, Class I devices.  
 KT200AxxxxyyyM2 is desk top-on equipment with AC appliance inlet C8 type, Class II devices.

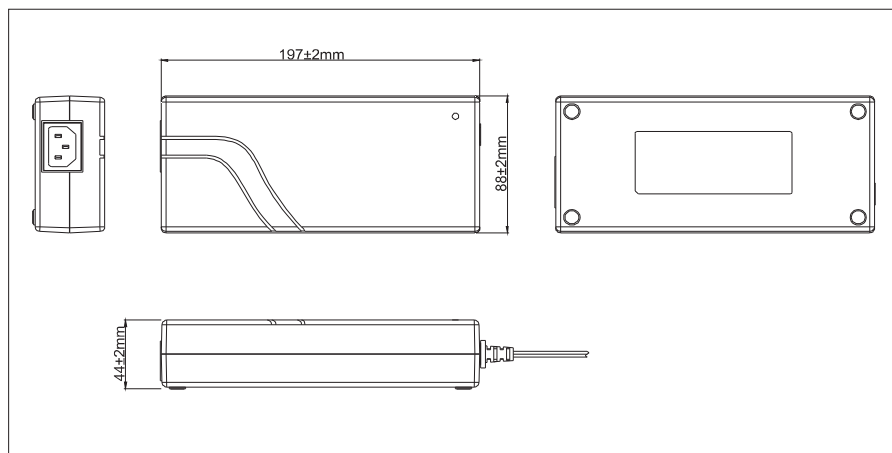
## Features

- \* Universal AC input/Full range
- \* AC inlet: C14/ C6/ C8
- \* Built-in Active PFC Function
- \* No load power consumption <0.075W
- \* **Energy efficiency Level VI**
- \* Comply with EISA 2007/DOE, NRCan, AU GEMS, EU ErP and CoC version 5
- \* Class I or Class II Power
- \* Protections: short circuit/Overload/Over Voltage /Over temperature
- \* Fanless design with -10 to +40°C
- \* Fully enclosed plastic case

## Model encoding



## Mechanical spec.



## KT200W SERIES

200W SWITCHING AC-DC ADAPTER

Desk-Top Type



### Applications

- \* consumer electronic devices
- \* I.T.E and A.V devices
- \* Office facilities
- \* LED driver



## SPECIFICATION

	MODEL NO.(Typ.)	KT200A1201500B3	KT200A1901053B3	KT200A2400833B3	KT200A3600611B3	KT200A4800458B3
OUTPUT	DC VOLTAGE	12V.dc	19V.dc	24V.dc	36V.dc	48V.dc
	RATED CURRENT	15.00A	10.53A	8.33A	6.11A	4.58A
	CURRENT RANGE	0.1-15.00A	0.1-10.53A	0.1-8.33A	0.1-6.11A	0.1-4.58A
	RIPPLE&NOISE	Max.300mVp-p	Max.350mVp-p	Max.350mVp-p	Max.350mVp-p	Max.350mVp-p
	VOLTAGE TOLERANCE	±5.00%	±5.00%	±5.00%	±5.00%	±5.00%
	LINE REGULATION	±1.00%	±1.00%	±1.00%	±1.00%	±1.00%
	LOAD REGULATION	±5.00%	±5.00%	±5.00%	±5.00%	±5.00%
	SETUP,RISE TIME	2500ms, 50ms/230Vac 3000ms, 50ms/115Vac at full load				
	HOLD UP TIME(Typ.)	20ms/230Vac 20ms/115Vac at full load				
	INPUT	VOLTAGE RANGE	90-264Vac			
FREQUENCY RANGE		50/60Hz				
POWER FACTOR		PF >0.9/230Vac PF >0.9/115Vac at full load				
EFFICIENCY		Min.88% All models				
AC CURRENT		Max. 3.0A				
INRUSH CURRENT		Max. 120A				
LEAKAGE CURRENT		Max. 0.75mA/240Vac				
PROTECTION	OVERLOAD	105-200% rated output power Protection type: Hiccup mode,recovers automatically after fault condition is removed				
	OVER VOLTAGE	105-150% rated output voltage Protection type: Lock no output @ 50% load				
	OVER TEMPERATURE	Protection type: Shut down o/p voltage, re-power on to recover				
ENVIRONMENT	WORKING TEMP.	-10 to +40°C				
	WORKING HUMIDITY	20% to 90% RH non-condensing				
	STORAGE TEMP., HUMIDITY	-20 to +80°C, 10-95%RH				
	TEMP.COEFFICIENT	±0.03%/°C (0-50°C)				
SAFETY & EMC	SAFETY STD.	UL/ CUL 62368/60950, IEC/EN/AS/NZA60950/60065, GB4943, J60950, K60950				
	ISOLATION RESISTANCE	I/P-O/P:3.0KVac I/P-FG:1.8KVac O/P-FG:SHORT				
	EMC-EMISSION	EN/AS/NZA/K/J55032/35/24 Class B ,FCC PATR15/CISPR22 Class B , GB9254, GB17625.1				
OTHERS	EMC IMMUNITY	Compliance to EN61000-3,4,light industry level, criteria A				
	AC INLET	Inlet type C14 or C6 for class I devices, C8 for Class II devices				
	MTBF	50K hrs min., MIL-HDBK-217F(25°C)				
	DIMENSION	197X88X40mm (L x W x H)				

## ALL MODEL LIST

MODEL NAME	RATED OUTPUT VOLTAGE RANGE(VDC)	RATED OUTPUT CURRENT RANGE(A)	Max. OUTPUT POWER(W)
	12.0-18.9	0.10-15.00	180.00
KT200AxxxxyyyM2	19.0-20.0	0.10-10.53	200.07
KT200AxxxxyyyM3	20.1-30.0	0.10-9.95	200.00
KT200AxxxxyyyB3	30.1-54.0	0.10-7.30	220.00

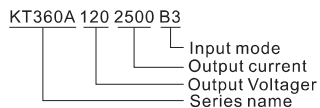
xxx=120-540,12-54V,yyy=0001-1500,0.01A-1500A,  
 KT200AxxxxyyyM3 is desk top-on equipment with AC appliance inlet C6 type, Class I devices.  
 KT200AxxxxyyyB3 is desk top-on equipment with AC appliance inlet C14 type, Class I devices.  
 KT200AxxxxyyyM2 is desk top-on equipment with AC appliance inlet C8 type, Class II devices.



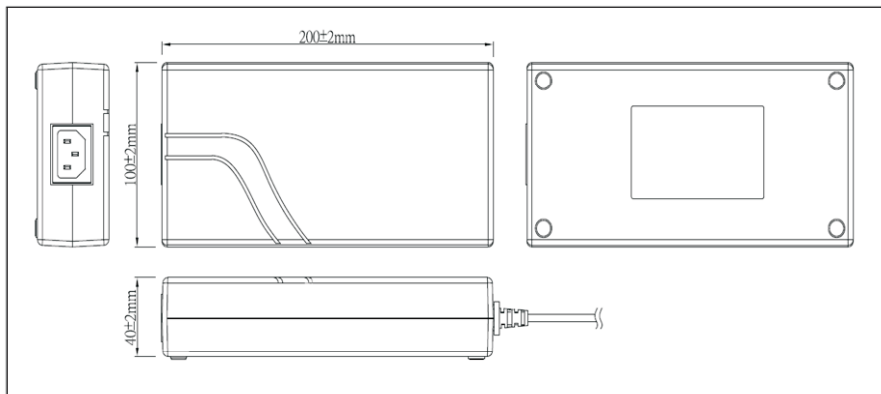
## Features

- \* Universal AC input/Full range
- \* AC inlet: C14/ C6/ C8
- \* Built-in Active PFC Function
- \* No load power consumption <0.075W
- \* **Energy efficiency Level VI**
- \* Comply with EISA 2007/DOE, NRCan, AU GEMS, EU ErP and CoC version 5
- \* Class I or Class II Power
- \* Protections: short circuit/Overload/Over Voltage /Over temperature
- \* Fanless design with -10 to +40°C
- \* Fully enclosed plastic case
- \* LED indicator for power on

## Model encoding



## Mechanical spec.



## KT360W SERIES

360W SWITCHING AC-DC ADAPTER

Desk-Top Type



### Applications

- \* consumer electronic devices
- \* I.T.E and A.V devices
- \* Office facilities
- \* LED driver



## SPECIFICATION

	MODEL NO.(Typ.)	KT360A1202500B3	KT360A1901894B3	KT360A2401500B3	KT360A3601000B3	KT360A4800750B3	
OUTPUT	DC VOLTAGE	12V.dc	19V.dc	24V.dc	36V.dc	48V.dc	
	RATED CURRENT	25.00A	18.94A	15.00A	10.00A	7.50A	
	CURRENT RANGE	0.1-25.00A	0.1-18.94A	0.1-15.00A	0.1-10.00A	0.1-7.50A	
	RIPPLE&NOISE	Max.300mVp-p	Max.350mVp-p	Max.350mVp-p	Max.350mVp-p	Max.350mVp-p	
	VOLTAGE TOLERANCE	±5.00%	±5.00%	±5.00%	±5.00%	±5.00%	
	LINE REGULATION	±1.00%	±1.00%	±1.00%	±1.00%	±1.00%	
	LOAD REGULATION	±5.00%	±5.00%	±5.00%	±5.00%	±5.00%	
SETUP,RISE TIME	2500ms, 50ms/230Vac 3000ms, 50ms/115Vac at full load						
HOLD UP TIME(Typ.)	20ms/230Vac 20ms/115Vac at full load						
INPUT	VOLTAGE RANGE	90-264Vac					
	FREQUENCY RANGE	50/60Hz					
	POWER FACTOR	PF >0.9/230Vac PF >0.9/115Vac at full load					
	EFFICIENCY	Min.88% All models					
	AC CURRENT	Max. 5.0A					
	INRUSH CURRENT	Max. 120A					
	LEAKAGE CURRENT	Max. 0.75mA/240Vac					
PROTECTION	OVERLOAD	105-200% rated output power Protection type: Hiccup mode,recovers automatically after fault condition is removed					
	OVER VOLTAGE	105-150% rated output voltage Protection type: Lock no output @ 50% load					
	OVER TEMPERATURE	Protection type: Shut down o/p voltage, re-power on to recover					
ENVIRONMENT	WORKING TEMP.	-10 to +40°C					
	WORKING HUMIDITY	20% to 90% RH non-condensing					
	STORAGE TEMP., HUMIDITY	-20 to +80°C, 10-95%RH					
	TEMP.COEFFICIENT	±0.03%/°C (0-50°C)					
SAFETY & EMC	SAFETY STD.	UL/CUL 62368, IEC/EN/AS/NZA62368, GB4943, J62368, K60950					
	ISOLATION RESISTANCE	I/P-O/P:3.0kVac I/P-FG:1.8kVac O/P-FG:SHORT					
	EMC-EMISSION	EN/AS/NZA/K/J55032/35/24 Class B ,FCC PATR15/CISPR22 Class B , GB9254, GB17625.1					
OTHERS	EMC IMMUNITY	Compliance to EN61000-3,4,light industry level, criteria A					
	AC INLET	Inlet type C14 or C6 for class I devices, C8 for Class II devices					
	MTBF	50K hrs min., MIL-HDBK-217F(25°C)					
	DIMENSION	200X100X40mm ( L x W x H )					

## ALL MODEL LIST

MODEL NAME	RATED OUTPUT VOLTAGE RANGE(VDC)	RATED OUTPUT CURRENT RANGE(A)	Max. OUTPUT POWER(W)
KT360AxxxxyyyM2	9.0-15.0	0.10-25.00	360.00
KT360AxxxxyyyM3	15.1-36.0	0.10-23.84	360.00
KT360AxxxxyyyB3	36.1-54.0	0.10-9.97	360.00

xxx=090-540, 9-54V, yyyy=0001-2500, 0.01A-25.00A,  
 KT360AxxxxyyyM3 is desk top-on equipment with AC appliance inlet C6 type, Class I devices.  
 KT360AxxxxyyyB3 is desk top-on equipment with AC appliance inlet C14 type, Class I devices.  
 KT360AxxxxyyyM2 is desk top-on equipment with AC appliance inlet C8 type, Class II devices.

# GLOBALTECH

*Solutions for efficient power supplies*

3W-360W Power Adapter • Charger



**Global Technologies Group (HK), Co., Ltd**

Address: Anhaorui Industrial Park, Jian-An Road Tangwei Village, Fuyong Town,  
Bao-An District, Shenzhen 518103, China

Tel: (86)755-21536299(O), (86)13008887898(C) / Fax: (86)755-21536080

**Global Technologies Group, Inc.**

Address: 9825 Widmer Road, Lenexa, KS 66215, USA

Tel: 913-828-5685(O), 913-544-7304(C) / Fax: 913-273-4397

Email: [sales@gtgco.com](mailto:sales@gtgco.com)